



"ST4-GBK" Stainless Steel Top Work Tables

w/ 14 Gauge Stainless Steel Work Top
w/ Galvanized Base & Adjustable Bracing



| | | | |
|---------|-------|-----|-------|
| Item # | _____ | Qty | _____ |
| Model # | _____ | | |
| Project | _____ | | |

AUTOQUOTES



| 14 GAUGE TOP w/ ADJUSTABLE BRACING | | | | | |
|------------------------------------|-----|--------------|-----|--------------|-----|
| 24"WIDE | Qty | 30"WIDE | Qty | 36"WIDE | Qty |
| ST4-2436GBK | | ST4-3036GBK | | ST4-3636GBK | |
| ST4-2448GBK | | ST4-3048GBK | | ST4-3648GBK | |
| ST4-2460GBK | | ST4-3060GBK | | ST4-3660GBK | |
| ST4-2472GBK | | ST4-3072GBK | | ST4-3672GBK | |
| ST4-2484GBK | | ST4-3084GBK | | ST4-3684GBK | |
| ST4-2496GBK | | ST4-3096GBK | | ST4-3696GBK | |
| ST4-24108GBK | | ST4-30108GBK | | ST4-36108GBK | |
| ST4-24120GBK | | ST4-30120GBK | | ST4-36120GBK | |

FEATURES:

- * 14 Gauge Stainless Steel Top
Type 300 stainless steel with # 4 polish, satin finish
- * Top is **Sound Deadened**
- * Reinforced with 1"x2" channel running entire length of table
- * 1 1/2" **Stallion Edge** on front and rear with side edges 90 degree bend down for table line-up
- * Galvanized Base with **Adjustable** Bracing
- * Adjustable bullet feet
- * Shipped knocked-down, easy - to - assemble
- * NSF Approved



CONSTRUCTION:

Top: Stainless Steel Tops are TIG welded, Exposed welds are polished to match adjacent surface.

MATERIAL:

Top: 14 gauge stainless steel
Type 300 stainless steel with # 4 polish, satin finish

Bracing: 1 1/4" Round O.D. 18 gauge galvanized steel

Legs: 1 5/8" Round O.D., 16 gauge tubular galvanized steel

Gussets: Galvanized Steel

Feet: 1" adjustable galvanized bullet feet

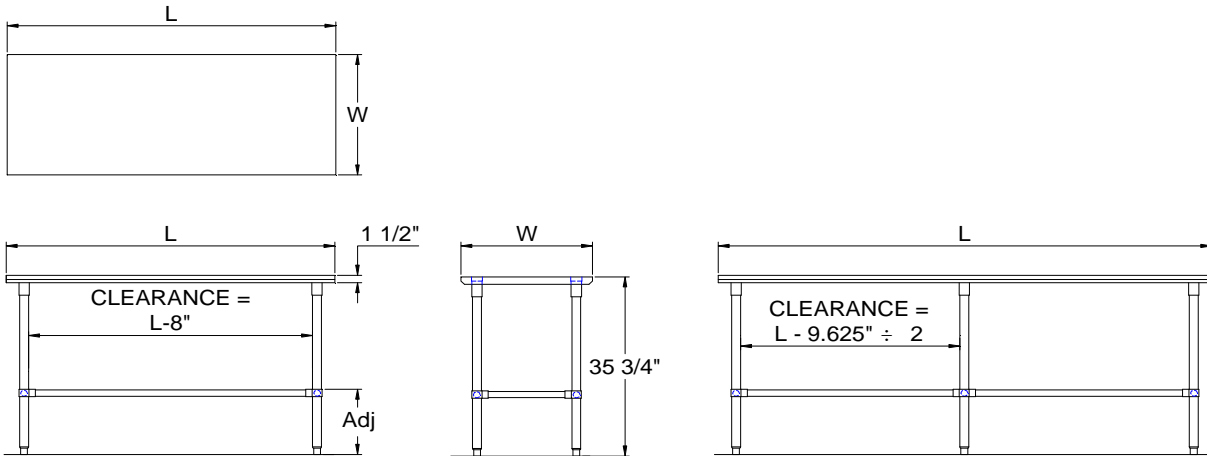
OPTIONAL ACCESSORIES

| | MODEL # | Qty |
|-------------|---------|-----|
| DRAWER | | |
| DRAWER LOCK | | |
| CASTERS | | |
| OVERSHELVES | | |
| SINKS | | |
| POT RACK | | |

John Boos & Co

3601 S. Banker Street - Effingham, IL 62401
Phone: 217-347-7701 - Fax: 217-347-7705
Email: sales@johnboos.com - Web-site: www. johnboos.com

DETAILED SPECIFICATIONS

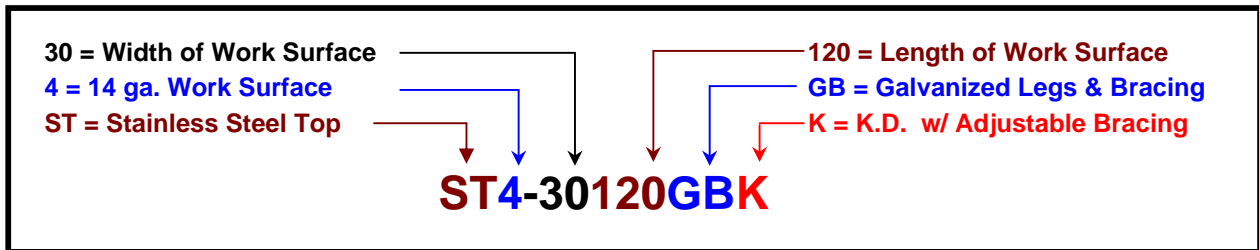


All units ship unassembled for reduced shipping cost.
 Units 7 ft. and larger are furnished with six legs.
 All dimensions are typical.
 Tolerance +/- .500".

Finished size of undershelf.
 Shelf length = length minus 4.875"
 Shelf width = width minus 4.25"

14 GAUGE TOP & UNDERSHELF

| L | 24" WIDE | WT. | 30" WIDE | WT. | 36" WIDE | WT. |
|-----|--------------|-----|--------------|-----|--------------|-----|
| 36 | ST4-2436GBK | 50 | ST4-3036GBK | 55 | ST4-3636GBK | 70 |
| 48 | ST4-2448GBK | 60 | ST4-3048GBK | 67 | ST4-3648GBK | 75 |
| 60 | ST4-2460GBK | 70 | ST4-3060GBK | 79 | ST4-3660GBK | 88 |
| 72 | ST4-2472GBK | 80 | ST4-3072GBK | 91 | ST4-3672GBK | 101 |
| 84 | ST4-2484GBK | 95 | ST4-3084GBK | 107 | ST4-3684GBK | 119 |
| 96 | ST4-2496GBK | 109 | ST4-3096GBK | 122 | ST4-3696GBK | 136 |
| 108 | ST4-24108GBK | 119 | ST4-30108GBK | 134 | ST4-36108GBK | 150 |
| 120 | ST4-24120GBK | 129 | ST4-30120GBK | 146 | ST4-36120GBK | 163 |



John Boos & Co

3601 S. bankert - Effingham, IL 62401 Phone: 217-347-7701 - Fax: 217-347-7705
 Email: sales@johnboos.com - Web-site: www.johnboos.com



July 2013

John Boos is constantly engaged in a program of improving products and therefore reserves the right to change specification without prior notice