



"ST4-SBK" Stainless Steel Top Work Tables

w/ 14 Gauge Stainless Steel Work Top
w/ Stainless Base & Adjustable Bracing



Item #	_____	Qty	_____
Model #	_____		
Project	_____		

AUTOQUOTES



14 GAUGE TOP w/ ADJUSTABLE BRACING					
24"WIDE	Qty	30"WIDE	Qty	36"WIDE	Qty
ST4-2436SBK		ST4-3036SBK		ST4-3636SBK	
ST4-2448SBK		ST4-3048SBK		ST4-3648SBK	
ST4-2460SBK		ST4-3060SBK		ST4-3660SBK	
ST4-2472SBK		ST4-3072SBK		ST4-3672SBK	
ST4-2484SBK		ST4-3084SBK		ST4-3684SBK	
ST4-2496SBK		ST4-3096SBK		ST4-3696SBK	
ST4-24108SBK		ST4-30108SBK		ST4-36108SBK	
ST4-24120SBK		ST4-30120SBK		ST4-36120SBK	

FEATURES:

- * 14 Gauge Stainless Steel Top
Type 300 stainless steel with # 4 polish, satin finish
- * Top is **Sound Deadened**
- * Reinforced with 1"x2" channel running entire length of table
- * 1 1/2" **Stallion Edge** on front and rear with side edges 90 degree bend down for table line-up
- * Stainless Base with **Adjustable** Bracing
- * Adjustable bullet feet
- * Shipped knocked-down, easy - to - assemble
- * NSF Approved



CONSTRUCTION:

Top: Stainless Steel Tops are TIG welded, Exposed welds are polished to match adjacent surface.

MATERIAL:

Top: 14 gauge stainless steel
Type 300 stainless steel with # 4 polish, satin finish

Bracing: 1 1/4" Round O.D. 18 gauge stainless steel

Legs: 1 5/8" Round O.D., 16 gauge tubular stainless steel

Gussets: Stainless Steel

Feet: 1" adjustable stainless bullet feet

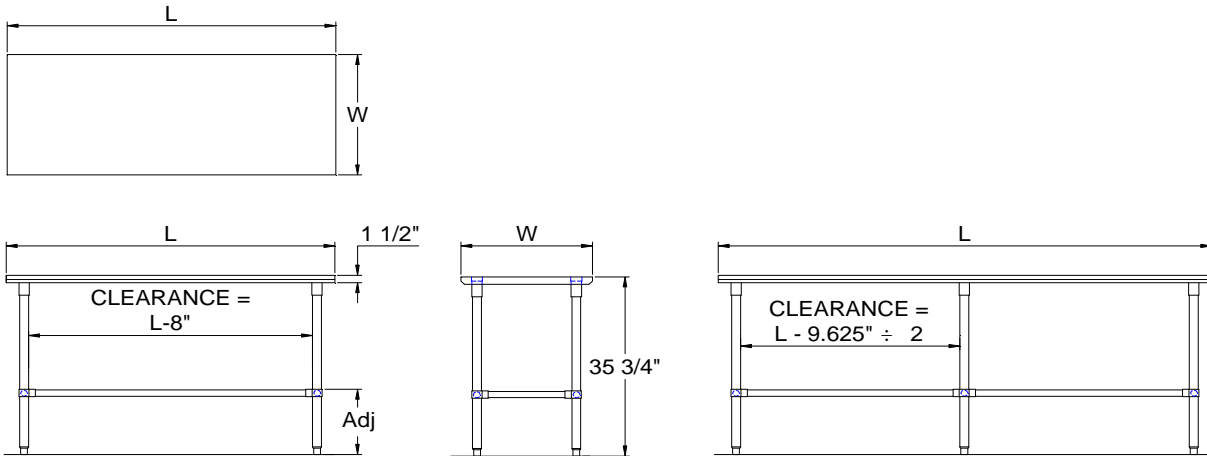
OPTIONAL ACCESSORIES

	MODEL #	Qty
DRAWER		
DRAWER LOCK		
CASTERS		
OVERSHELVES		
SINKS		
POT RACK		

John Boos & Co

3601 S. Bankert Street - Effingham, IL 62401
Phone: 217-347-7701 - Fax: 217-347-7705
Email: sales@johnboos.com - Web-site: www. johnboos.com

DETAILED SPECIFICATIONS

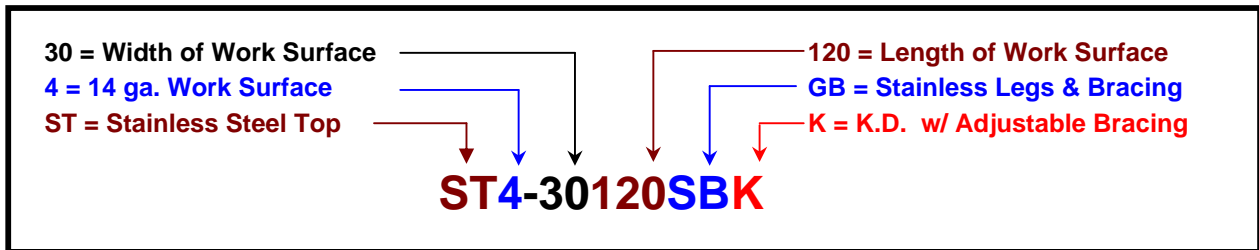


All units ship unassembled for reduced shipping cost.
 Units 7 ft. and larger are furnished with six legs.
 All dimensions are typical.
 Tolerance +/- .500".

Finished size of undershelf.
 Shelf length = length minus 4.875"
 Shelf width = width minus 4.25"

16 GAUGE TOP & UNDERSHELF

L	24" WIDE	WT.	30" WIDE	WT.	36" WIDE	WT.
36	ST4-2436SBK	50	ST4-3036SBK	56	ST4-3636SBK	70
48	ST4-2448SBK	60	ST4-3048SBK	68	ST4-3648SBK	75
60	ST4-2460SBK	70	ST4-3060SBK	79	ST4-3660SBK	88
72	ST4-2472SBK	81	ST4-3072SBK	91	ST4-3672SBK	102
84	ST4-2484SBK	95	ST4-3084SBK	107	ST4-3684SBK	120
96	ST4-2496SBK	109	ST4-3096SBK	123	ST4-3696SBK	137
108	ST4-24108SBK	120	ST4-30108SBK	135	ST4-36108SBK	150
120	ST4-24120SBK	130	ST4-30120SBK	146	ST4-36120SBK	163



John Boos & Co

3601 S. Banker Strt - Effingham, IL 62401 Phone: 217-347-7701 - Fax: 217-347-7705
 Email: sales@johnboos.com - Web-site: www.johnboos.com



July 2013

John Boos is constantly engaged in a program of improving products and therefore reserves the right to change specification without prior notice