



"ST4-SSK" Stainless Steel Top Work Tables

w/ 14 Gauge Stainless Steel Work Top
w/ Stainless Steel Base & Adjustable Undershef



Item #	_____	Qty	_____
Model #	_____		
Project	_____		

AUTOQUOTES



14 GAUGE TOP w/ ADJUSTABLE UNDERSHELF					
24"WIDE	Qty	30"WIDE	Qty	36"WIDE	Qty
ST4-2436SSK		ST4-3036SSK		ST4-3636SSK	
ST4-2448SSK		ST4-3048SSK		ST6-3648SSK	
ST4-2460SSK		ST4-3060SSK		ST4-3660SSK	
ST4-2472SSK		ST4-3072SSK		ST4-3672SSK	
ST4-2484SSK		ST6-3084SSK		ST4-3684SSK	
ST4-2496SSK		ST4-3096SSK		ST4-3696SSK	
ST4-24108SSK		ST4-30108SSK		ST4-36108SSK	
ST4-24120SSK		ST4-30120SSK		ST4-36120SSK	

FEATURES:

- * 14 Gauge Stainless Steel Top
Type 300 stainless steel with # 4 polish, satin finish
- * Top is **Sound Deadened**
- * Reinforced with 1"x2" channel running entire length of table
- * 1 1/2" **Stallion Edge** on front and rear with side edges 90 degree bend down for table line-up
- * Stainless Steel Base with **Adjustable** Undershef
- * Adjustable bullet feet
- * Shipped knocked-down, easy - to - assemble
- * NSF Approved



CONSTRUCTION:

Top: Stainless Steel Tops are TIG welded, Exposed welds are polished to match adjacent surface.

MATERIAL:

Top: 14 gauge stainless steel
Type 300 stainless steel with # 4 polish, satin finish

Shelf: 18 gauge stainless steel
** 36" Wide Tables, 16 Gauge Lower Shelf

Legs: 1 5/8" Round O.D., 16 gauge tubular stainless steel

Gussets: Stainless Steel

Feet: 1" adjustable stainless steel bullet feet

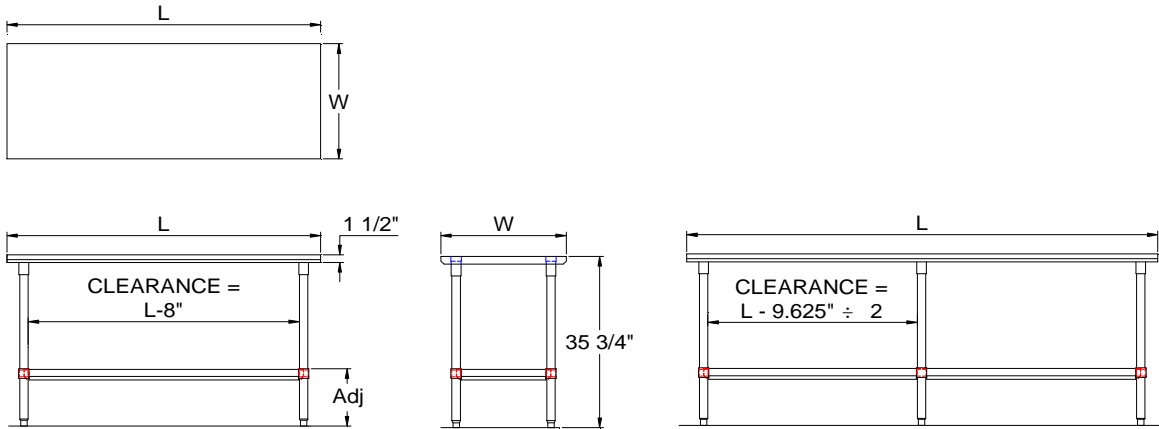
OPTIONAL ACCESSORIES

	MODEL #	Qty
DRAWER		
DRAWER LOCK		
CASTERS		
OVERSHELVES		
SINKS		
POT RACK		

John Boos & Co

3601 S. Banker Street - Effingham, IL 62401
Phone: 217-347-7701 - Fax: 217-347-7705
Email: sales@johnboos.com - Web-site: www. johnboos.com

DETAILED SPECIFICATIONS

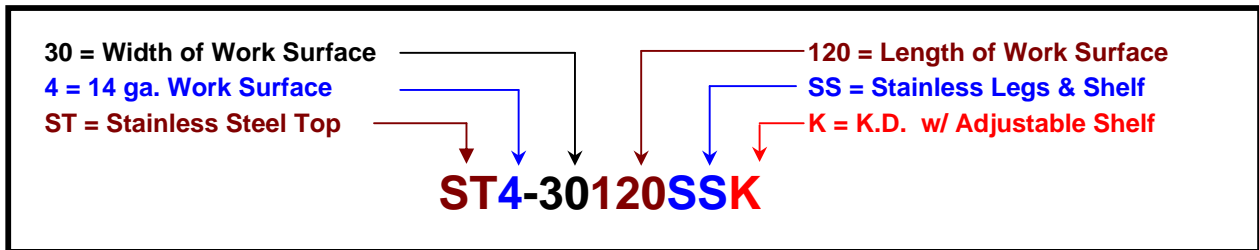


All units ship unassembled for reduced shipping cost.
 Units 7 ft. and larger are furnished with six legs.
 All dimensions are typical.
 Tolerance +/- .500".

Finished size of undershelf.
 Shelf length = length minus 4.875"
 Shelf width = width minus 4.25"

14 GAUGE TOP & UNDERSHELF

L	24" WIDE	WT.	30" WIDE	WT.	36" WIDE	WT.
36	ST4-2436SSK	56	ST4-3036SSK	69	ST4-3636SSK	85
48	ST4-2448SSK	70	ST4-3048SSK	91	ST6-3648SSK	91
60	ST4-2460SSK	83	ST4-3060SSK	96	ST4-3660SSK	109
72	ST4-2472SSK	96	ST4-3072SSK	115	ST4-3672SSK	139
84	ST4-2484SSK	114	ST6-3084SSK	135	ST4-3684SSK	150
96	ST4-2496SSK	131	ST4-3096SSK	151	ST4-3696SSK	172
108	ST4-24108SSK	144	ST4-30108SSK	175	ST4-36108SSK	191
120	ST4-24120SSK	157	ST4-30120SSK	183	ST4-36120SSK	209



John Boos & Co

3601 S. Banker Str - Effingham, IL 62401 Phone: 217-347-7701 - Fax: 217-347-7705
 Email: sales@johnboos.com - Web-site: www.johnboos.com



July 2013

John Boos is constantly engaged in a program of improving products and therefore reserves the right to change specification without prior notice