



"ST4-GSK" Stainless Steel Top Work Tables

w/ 14 Gauge Stainless Steel Work Top
w/ Galvanized Base & Adjustable Undershaft



Item #	_____	Qty	_____
Model #	_____		
Project	_____		

14 GAUGE TOP w/ ADJUSTABLE UNDERSHELF					
24"WIDE	Qty	30"WIDE	Qty	36"WIDE	Qty
ST4-2436GSK		ST4-3036GSK		ST4-3636GSK	
ST4-2448GSK		ST4-3048GSK		ST4-3648GSK	
ST4-2460GSK		ST4-3060GSK		ST4-3660GSK	
ST4-2472GSK		ST4-3072GSK		ST4-3672GSK	
ST4-2484GSK		ST4-3084GSK		ST4-3684GSK	
ST4-2496GSK		ST4-3096GSK		ST4-3696GSK	
ST4-24108GSK		ST4-30108GSK		ST4-36108GSK	
ST4-24120GSK		ST4-30120GSK		ST4-36120GSK	

FEATURES:

- * 14 Gauge Stainless Steel Top
Type 300 stainless steel with # 3 polish, satin finish
- * Top is **Sound Deadened**
- * Reinforced with 1"x2" channel running entire length of table
- * 1 1/2" **Stallion Edge** on front and rear with side edges 90 degree bend down for table line-up
- * Galvanized Base with **Adjustable** Undershaft
- * Adjustable bullet feet
- * Shipped knocked-down, easy - to - assemble
- * NSF Approved



CONSTRUCTION:

Top: Stainless Steel Tops are TIG welded, Exposed welds are polished to match adjacent surface.

MATERIAL:

Top: 14 gauge stainless steel
Type 300 stainless steel with # 3 polish, satin finish

Shelf: 18 gauge galvanized steel
** 36" Wide Tables, 16 Gauge Lower Shelf

Legs: 1 5/8" Round O.D., 16 gauge tubular galvanized steel

Gussets: Galvanized Steel

Feet: 1" adjustable galvanized bullet feet

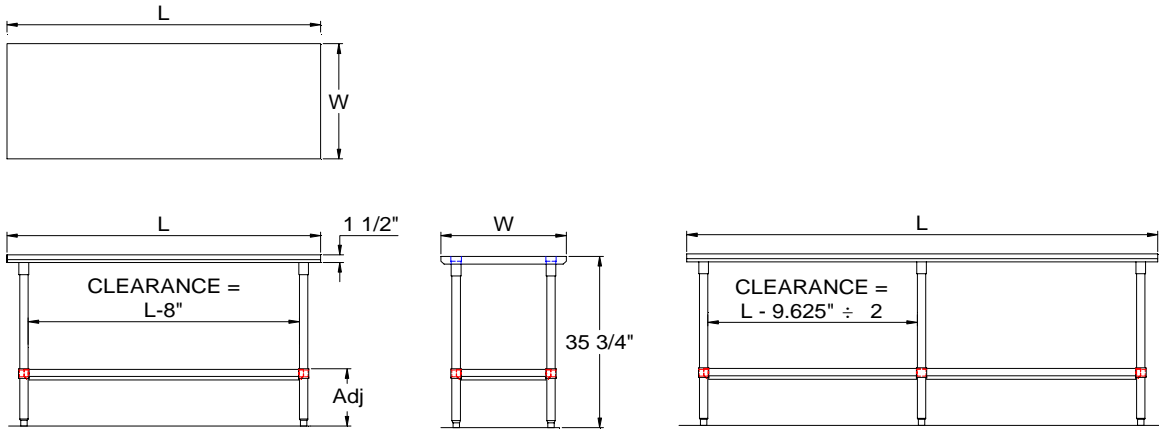
OPTIONAL ACCESSORIES

	MODEL #	Qty
DRAWER		
DRAWER LOCK		
CASTERS		
OVERSHELVES		
SINKS		
POT RACK		

John Boos & Co

315 South First Street - Effingham, IL 62401
Phone: 217-347-7701 - Fax: 217-347-7705
Email: sales@johnboos.com - Web-site: www. johnboos.com

DETAILED SPECIFICATIONS

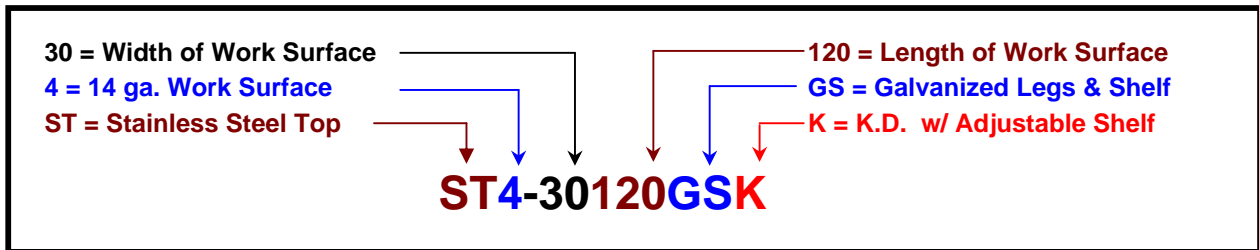


All units ship unassembled for reduced shipping cost.
 Units 7 ft. and larger are furnished with six legs.
 All dimensions are typical.
 Tolerance +/- .500".

Finished size of undershelf.
 Shelf length = length minus 4.875"
 Shelf width = width minus 4.25"

14 GAUGE TOP & UNDERSHELF

L	24" WIDE	WT.	30" WIDE	WT.	36" WIDE	WT.
36	ST4-2436GSK	57	ST4-3036GSK	65	ST4-3636GSK	85
48	ST4-2448GSK	71	ST4-3048GSK	82	ST4-3648GSK	92
60	ST4-2460GSK	84	ST4-3060GSK	98	ST4-3660GSK	111
72	ST4-2472GSK	103	ST4-3072GSK	121	ST4-3672GSK	138
84	ST4-2484GSK	118	ST4-3084GSK	138	ST4-3684GSK	157
96	ST4-2496GSK	133	ST4-3096GSK	154	ST4-3696GSK	175
108	ST4-24108GSK	147	ST4-30108GSK	170	ST4-36108GSK	194
120	ST4-24120GSK	160	ST4-30120GSK	186	ST4-36120GSK	213



John Boos & Co

315 South First - Effingham, IL 62401 Phone: 217-347-7701 - Fax: 217-347-7705
 Email: sales@johnboos.com - Web-site: www.johnboos.com



March 2011

John Boos is constantly engaged in a program of improving products and therefore reserves the right to change specification without prior notice