



"ST4R5-SSK" Stainless Steel Top Work Tables w/ Riser

w/ 14 Gauge Stainless Steel Work Top
w/ Stainless Base & Adjustable Undershef



| | | | |
|---------|-------|-----|-------|
| Item # | _____ | Qty | _____ |
| Model # | _____ | | |
| Project | _____ | | |

AUTOQUOTES



| 14 GAUGE TOP w/ ADJUSTABLE UNDERSHELF | | | | | |
|---------------------------------------|-----|----------------|-----|----------------|-----|
| 24"WIDE | Qty | 30"WIDE | Qty | 36"WIDE | Qty |
| ST4R5-2436SSK | | ST4R5-3036SSK | | ST4R5-3636SSK | |
| ST4R5-2448SSK | | ST4R5-3048SSK | | ST4R5-3648SSK | |
| ST4R5-2460SSK | | ST4R5-3060SSK | | ST4R5-3660SSK | |
| ST4R5-2472SSK | | ST4R5-3072SSK | | ST4R5-3672SSK | |
| ST4R5-2484SSK | | ST4R5-3084SSK | | ST4R5-3684SSK | |
| ST4R5-2496SSK | | ST4R5-3096SSK | | ST4R5-3696SSK | |
| ST4R5-24108SSK | | ST4R5-30108SSK | | ST4R5-36108SSK | |
| ST4R5-24120SSK | | ST4R5-30120SSK | | ST4R5-36120SSK | |

FEATURES:

- * 14 Gauge Stainless Steel Top with 5" Riser & turnout
Type 300 stainless steel with # 4 polish, satin finish
- * Top is **Sound Deadened**
- * Reinforced with 1"x2" channel running entire length of table
- * 1 1/2" **Stallion Edge** on front and rear with side edges 90 degree bend down for table line-up
- * Stainless Steel Base with **Adjustable** Undershef
- * Adjustable bullet feet
- * Shipped knocked-down, easy - to - assemble
- * NSF Approved



CONSTRUCTION:

Top: Stainless Steel Tops are TIG welded, Exposed welds are polished to match adjacent surface.

MATERIAL:

Top: 14 gauge stainless steel
Type 300 stainless steel with # 4 polish, satin finish

Shelf: 18 gauge stainless steel
** 36" Wide Tables, 16 Gauge Lower Shelf

Legs: 1 5/8" Round O.D., 16 gauge tubular galvanized steel

Gussets: Stainless Steel

Feet: 1" adjustable stainless steel bullet feet

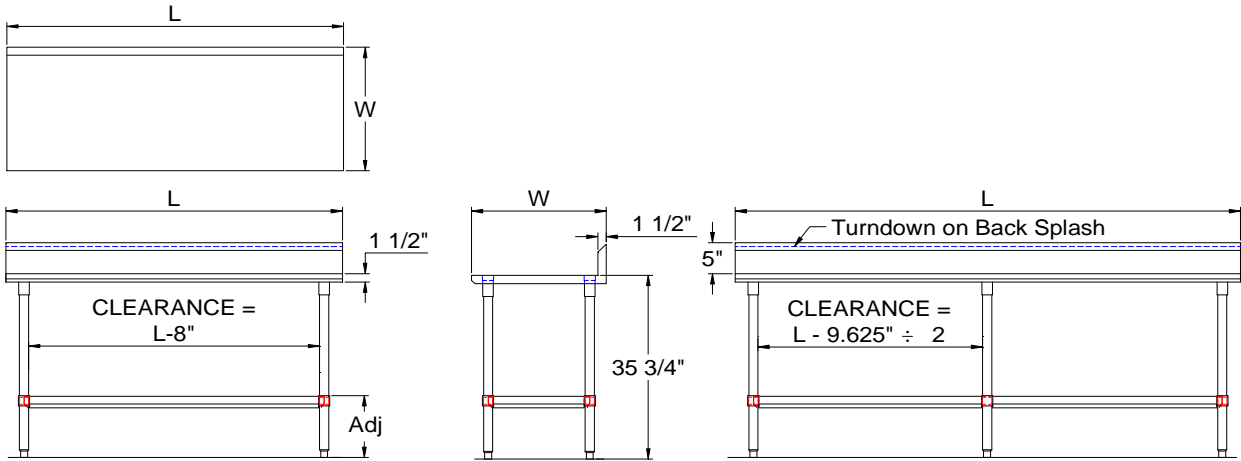
OPTIONAL ACCESSORIES

| | MODEL # | Qty |
|-------------|---------|-----|
| DRAWER | | |
| DRAWER LOCK | | |
| CASTERS | | |
| OVERSHELVES | | |
| SINKS | | |
| POT RACK | | |

John Boos & Co

3601 S. Banker Street - Effingham, IL 62401
Phone: 217-347-7701 - Fax: 217-347-7705
Email: sales@johnboos.com - Web-site: www. johnboos.com

DETAILED SPECIFICATIONS



All units ship unassembled for reduced shipping cost.
 Units 7 ft. and larger are furnished with six legs.
 All dimensions are typical.
 Tolerance +/- .500".

Finished size of undershelf.
 Shelf length = length minus 4.875"
 Shelf width = width minus 4.25"

14 GAUGE TOP & UNDERSHELF

| L | 24" WIDE | WT. | 30" WIDE | WT. | 36" WIDE | WT. |
|-----|----------------|-----|----------------|-----|----------------|-----|
| 36 | ST4R5-2436SSK | 62 | ST4R5-3036SSK | 70 | ST4R5-3636SSK | 86 |
| 48 | ST4R5-2448SSK | 76 | ST4R5-3048SSK | 87 | ST4R5-3648SSK | 91 |
| 60 | ST4R5-2460SSK | 91 | ST4R5-3060SSK | 118 | ST4R5-3660SSK | 107 |
| 72 | ST4R5-2472SSK | 106 | ST4R5-3072SSK | 122 | ST4R5-3672SSK | 128 |
| 84 | ST4R5-2484SSK | 125 | ST4R5-3084SSK | 130 | ST4R5-3684SSK | 151 |
| 96 | ST4R5-2496SSK | 144 | ST4R5-3096SSK | 164 | ST4R5-3696SSK | 173 |
| 108 | ST4R5-24108SSK | 159 | ST4R5-30108SSK | 182 | ST4R5-36108SSK | 192 |
| 120 | ST4R5-24120SSK | 173 | ST4R5-30120SSK | 199 | ST4R5-36120SSK | 200 |

5 = Height of Riser w/ turndown 30 = Width of Work Surface
R = Riser Top Work Table 120 = Length of Work Surface
4 = 14. ga Work Surface SS = Stainless Legs & Shelf
ST = Stainless Steel Top K = K.D. w/ Adjustable Shelf

ST4R5-30120SSK

John Boos & Co

3601 S. Banker Str - Effingham, IL 62401 Phone: 217-347-7701 - Fax: 217-347-7705
 Email: sales@johnboos.com - Web-site: www.johnboos.com



July 2013

John Boos is constantly engaged in a program of improving products and therefore reserves the right to change specification without prior notice