



"ST4R5-SBK" Stainless Steel Top Work Tables w/ Riser

w/ 14 Gauge Stainless Steel Work Top
w/ Stainless Base & Adjustable Bracing



Item #	_____	Qty	_____
Model #	_____		
Project	_____		

AUTOQUOTES



14 GAUGE TOP w/ ADJUSTABLE BRACING					
24"WIDE	Qty	30"WIDE	Qty	36"WIDE	Qty
ST4R5-2436SBK		ST4R5-3036SBK		ST4R5-3636SBK	
ST4R5-2448SBK		ST4R5-3048SBK		ST4R5-3648SBK	
ST4R5-2460SBK		ST4R5-3060SBK		ST4R5-3660SBK	
ST4R5-2472SBK		ST4R5-3072SBK		ST4R5-3672SBK	
ST4R5-2484SBK		ST4R5-3084SBK		ST4R5-3684SBK	
ST4R5-2496SBK		ST4R5-3096SBK		ST4R5-3696SBK	
ST4R5-24108SBK		ST4R5-30108SBK		ST4R5-36108SBK	
ST4R5-24120SBK		ST4R5-30120SBK		ST4R5-36120SBK	

FEATURES:

- * 14 Gauge Stainless Steel Top with 5" Riser & turnout
Type 300 stainless steel with # 4 polish, satin finish
- * Top is **Sound Deadened**
- * Reinforced with 1"x2" channel running entire length of table
- * 1 1/2" **Stallion Edge** on front and rear with side edges 90 degree bend down for table line-up
- * Stainless Base with **Adjustable** Bracing
- * Adjustable bullet feet
- * Shipped knocked-down, easy - to - assemble
- * NSF Approved



CONSTRUCTION:

Top: Stainless Steel Tops are TIG welded, Exposed welds are polished to match adjacent surface.

MATERIAL:

Top: 14 gauge stainless steel
Type 300 stainless steel with # 4 polish, satin finish
Bracing: 1 1/4" Round O.D. 18 gauge stainless steel
Legs: 1 5/8" Round O.D., 16 gauge tubular stainless steel
Gussets: Stainless Steel
Feet: 1" adjustable stainless bullet feet

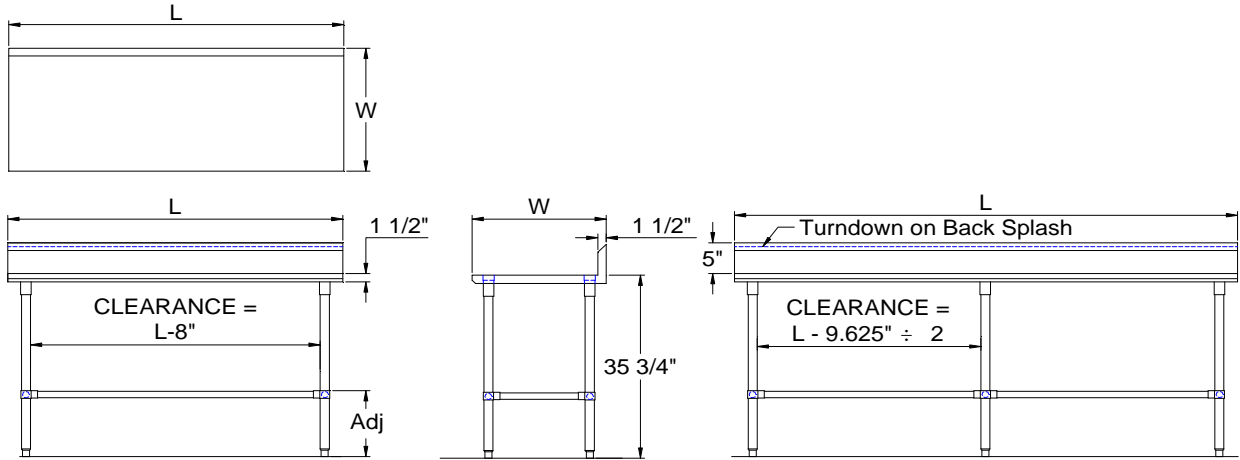
OPTIONAL ACCESSORIES

	MODEL #	Qty
DRAWER		
DRAWER LOCK		
CASTERS		
OVERSHELVES		
SINKS		
POT RACK		

John Boos & Co

36011 S Banker Street - Effingham, IL 62401
Phone: 217-347-7701 - Fax: 217-347-7705
Email: sales@johnboos.com - Web-site: www. johnboos.com

DETAILED SPECIFICATIONS

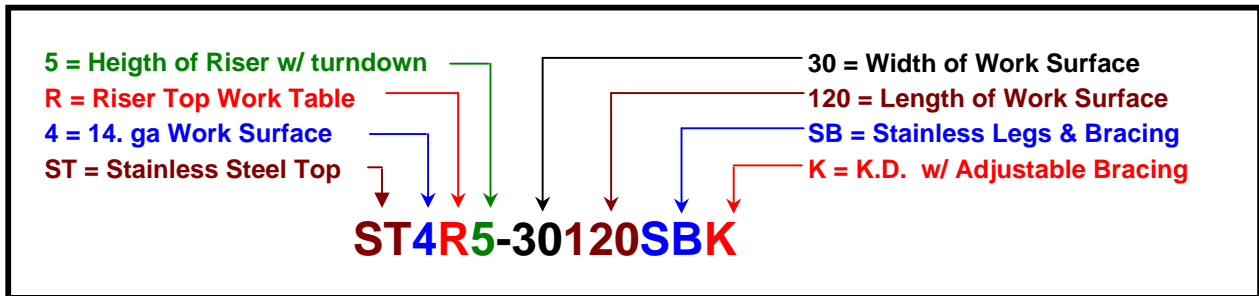


All units ship unassembled for reduced shipping cost.
 Units 7 ft. and larger are furnished with six legs.
 All dimensions are typical.
 Tolerance +/- .500".

Finished size of undershelf.
 Shelf length = length minus 4.875"
 Shelf width = width minus 4.25"

14 GAUGE TOP & UNDERSHELF

L	24" WIDE	WT.	30" WIDE	WT.	36" WIDE	WT.
36	ST4R5-2436SBK	55	ST4R5-3036SBK	61	ST4R5-3636SBK	70
48	ST4R5-2448SBK	67	ST4R5-3048SBK	74	ST4R5-3648SBK	75
60	ST4R5-2460SBK	79	ST4R5-3060SBK	88	ST4R5-3660SBK	86
72	ST4R5-2472SBK	90	ST4R5-3072SBK	101	ST4R5-3672SBK	102
84	ST4R5-2484SBK	106	ST4R5-3084SBK	119	ST4R5-3684SBK	120
96	ST4R5-2496SBK	122	ST4R5-3096SBK	136	ST4R5-3696SBK	137
108	ST4R5-24108SBK	195	ST4R5-30108SBK	149	ST4R5-36108SBK	150
120	ST4R5-24120SBK	146	ST4R5-30120SBK	162	ST4R5-36120SBK	164



John Boos & Co

3601 S. Banker Str - Effingham, IL 62401 Phone: 217-347-7701 - Fax: 217-347-7705
 Email: sales@johnboos.com - Web-site: www.johnboos.com



July 2013

John Boos is constantly engaged in a program of improving products and therefore reserves the right to change specification without prior notice