



"ST4R5-GBK" Stainless Steel Top Work Tables w/ Riser

w/ 14 Gauge Stainless Steel Work Top
w/ Galvanized Base & Adjustable Bracing



Item #	_____	Qty	_____
Model #	_____		
Project	_____		

AUTOQUOTES



14 GAUGE TOP w/ ADJUSTABLE BRACING					
24"WIDE	Qty	30"WIDE	Qty	36"WIDE	Qty
ST4R5-2436GBK		ST4R5-3036GBK		ST4R5-3636GBK	
ST4R5-2448GBK		ST4R5-3048GBK		ST4R5-3648GBK	
ST4R5-2460GBK		ST4R5-3060GBK		ST4R5-3660GBK	
ST4R5-2472GBK		ST4R5-3072GBK		ST4R5-3672GBK	
ST4R5-2484GBK		ST4R5-3084GBK		ST4R5-3684GBK	
ST4R5-2496GBK		ST4R5-3096GBK		ST4R5-3696GBK	
ST4R5-24108GBK		ST4R5-30108GBK		ST4R5-36108GBK	
ST4R5-24120GBK		ST4R5-30120GBK		ST4R5-36120GBK	

FEATURES:

- * 14 Gauge Stainless Steel Top with 5" Riser & turnout
Type 300 stainless steel with # 4 polish, satin finish
- * Top is **Sound Deadened**
- * Reinforced with 1"x2" channel running entire length of table
- * 1 1/2" **Stallion Edge** on front and rear with side edges 90 degree bend down for table line-up
- * Galvanized Base with **Adjustable** Bracing
- * Adjustable bullet feet
- * Shipped knocked-down, easy - to - assemble
- * NSF Approved



CONSTRUCTION:

Top: Stainless Steel Tops are TIG welded, Exposed welds are polished to match adjacent surface.

MATERIAL:

Top: 14 gauge stainless steel
Type 300 stainless steel with # 4 polish, satin finish

Bracing: 1 1/4" Round O.D. 18 gauge galvanized steel

Legs: 1 5/8" Round O.D., 16 gauge tubular galvanized steel

Gussets: Galvanized Steel

Feet: 1" adjustable galvanized bullet feet

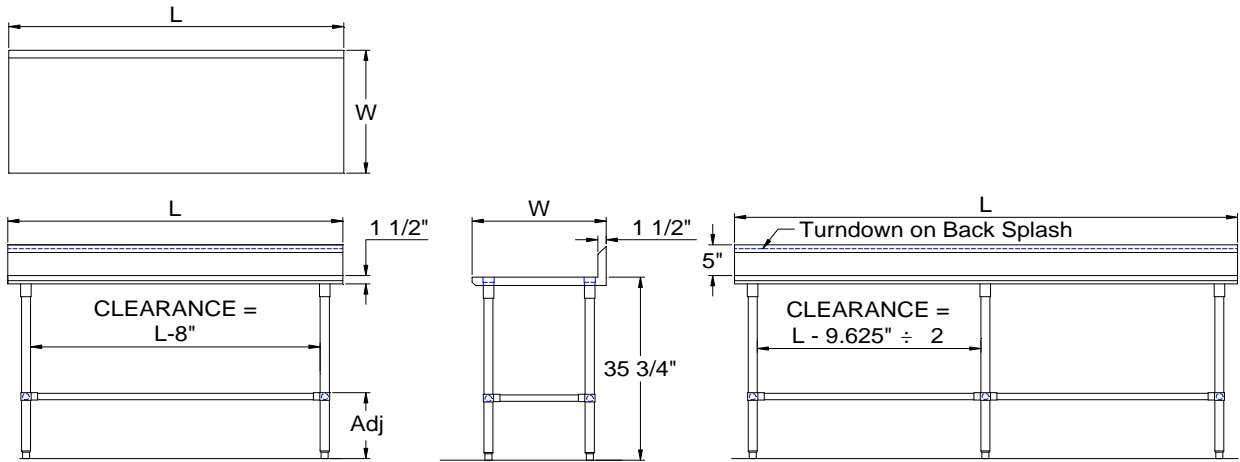
OPTIONAL ACCESSORIES

	MODEL #	Qty
DRAWER		
DRAWER LOCK		
CASTERS		
OVERSHELVES		
SINKS		
POT RACK		

John Boos & Co

3601 S. Banker Street - Effingham, IL 62401
Phone: 217-347-7701 - Fax: 217-347-7705
Email: sales@johnboos.com - Web-site: www.johnboos.com

DETAILED SPECIFICATIONS

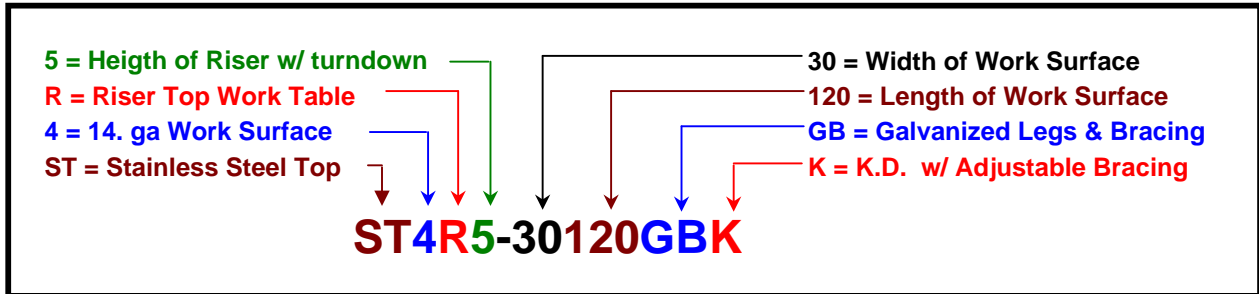


All units ship unassembled for reduced shipping cost.
 Units 7 ft. and larger are furnished with six legs.
 All dimensions are typical.
 Tolerance +/- .500".

Finished size of undershelf.
 Shelf length = length minus 4.875"
 Shelf width = width minus 4.25"

14 GAUGE TOP & UNDERSHELF

L	24" WIDE	WT.	30" WIDE	WT.	36" WIDE	WT.
36	ST4R5-2436GBK	55	ST4R5-3036GBK	61	ST4R5-3636GBK	70
48	ST4R5-2448GBK	67	ST4R5-3048GBK	74	ST4R5-3648GBK	75
60	ST4R5-2460GBK	78	ST4R5-3060GBK	87	ST4R5-3660GBK	86
72	ST4R5-2472GBK	90	ST4R5-3072GBK	100	ST4R5-3672GBK	101
84	ST4R5-2484GBK	106	ST4R5-3084GBK	120	ST4R5-3684GBK	119
96	ST4R5-2496GBK	122	ST4R5-3096GBK	135	ST4R5-3696GBK	137
108	ST4R5-24108GBK	134	ST4R5-30108GBK	149	ST4R5-36108GBK	150
120	ST4R5-24120GBK	145	ST4R5-30120GBK	162	ST4R5-36120GBK	163



John Boos & Co

3601 S. Banker - Effingham, IL 62401 Phone: 217-347-7701 - Fax: 217-347-7705
 Email: sales@johnboos.com - Web-site: www.johnboos.com



July 2013

John Boos is constantly engaged in a program of improving products and therefore reserves the right to change specification without prior notice