



"ST6-SSK" Stainless Steel Top Work Tables

w/ 16 Gauge Stainless Steel Work Top
w/ Stainless Steel Base & Adjustable Undershef



Item #	_____	Qty	_____
Model #	_____		
Project	_____		

AUTOQUOTES



16 GAUGE TOP w/ ADJUSTABLE UNDERSHELF					
24"WIDE	Qty	30"WIDE	Qty	36"WIDE	Qty
ST6-2430SSK		ST6-3030SSK			
ST6-2436SSK		ST6-3036SSK		ST6-3636SSK	
ST6-2448SSK		ST6-3048SSK		ST6-3648SSK	
ST6-2460SSK		ST6-3060SSK		ST6-3660SSK	
ST6-2472SSK		ST6-3072SSK		ST6-3672SSK	
ST6-2484SSK		ST6-3084SSK		ST6-3684SSK	
ST6-2496SSK		ST6-3096SSK		ST6-3696SSK	
ST6-24108SSK		ST6-30108SSK		ST6-36108SSK	
ST6-24120SSK		ST6-30120SSK		ST6-36120SSK	

FEATURES:

- * 16 Gauge Stainless Steel Top
Type 300 stainless steel with # 4 polish, satin finish
- * Top is **Sound Deadened**
- * Reinforced with 1"x2" channel running entire length of table
- * 1 1/2" **Stallion Edge** on front and rear with side edges 90 degree bend down for table line-up
- * Stainless Steel Base with **Adjustable** Undershef
- * Adjustable bullet feet
- * Shipped knocked-down, easy - to - assemble
- * NSF Approved



CONSTRUCTION:

Top: Stainless Steel Tops are TIG welded, Exposed welds are polished to match adjacent surface.

MATERIAL:

Top: 16 gauge stainless steel
Type 300 stainless steel with # 4 polish, satin finish

Shelf: 18 gauge stainless steel
** 36" Wide Tables, 16 Gauge Lower Shelf

Legs: 1 5/8" Round O.D., 16 gauge tubular stainless steel

Gussets: Stainless Steel

Feet: 1" adjustable stainless steel bullet feet

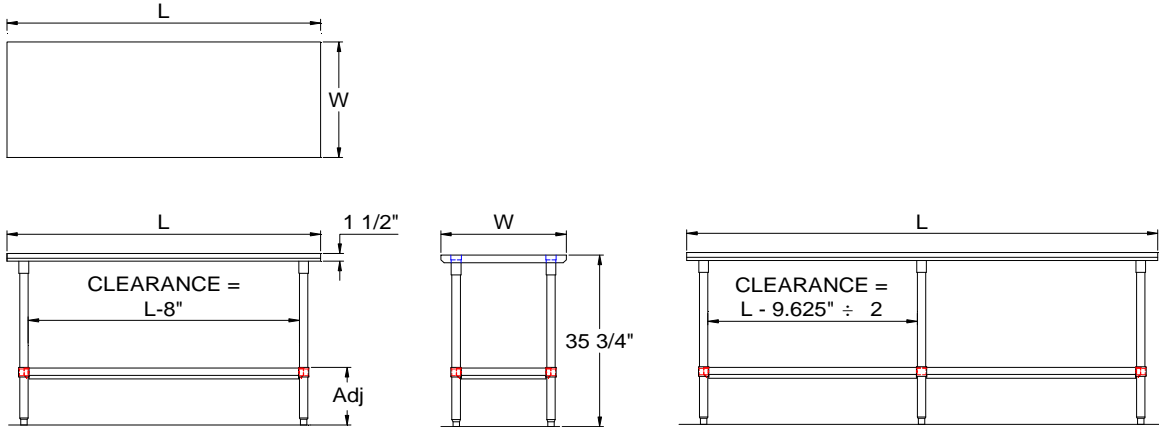
OPTIONAL ACCESSORIES

	MODEL #	Qty
DRAWER		
DRAWER LOCK		
CASTERS		
OVERSHELVES		
SINKS		
POT RACK		

John Boos & Co

3601 S. Banker Street - Effingham, IL 62401
Phone: 217-347-7701 - Fax: 217-347-7705
Email: sales@johnboos.com - Web-site: www. johnboos.com

DETAILED SPECIFICATIONS

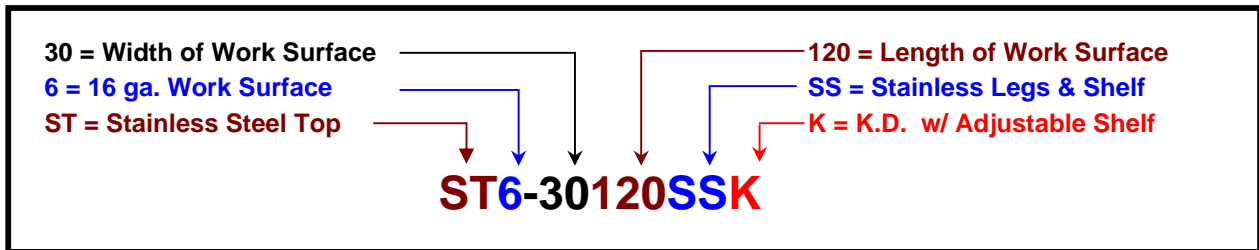


All units ship unassembled for reduced shipping cost.
 Units 7 ft. and larger are furnished with six legs.
 All dimensions are typical.
 Tolerance +/- .500".

Finished size of undershelf.
 Shelf length = length minus 4.875"
 Shelf width = width minus 4.25"

16 GAUGE TOP & UNDERSHELF

L	24" WIDE	WT.	30" WIDE	WT.	36" WIDE	WT.
30	ST6-2430SSK	44	ST6-3030SSK	56	-	
36	ST6-2436SSK	52	ST6-3036SSK	59	ST6-3636SSK	75
48	ST6-2448SSK	64	ST6-3048SSK	76	ST6-3648SSK	82
60	ST6-2460SSK	76	ST6-3060SSK	92	ST6-3660SSK	98
72	ST6-2472SSK	97	ST6-3072SSK	111	ST6-3672SSK	144
84	ST6-2484SSK	108	ST6-3084SSK	125	ST6-3684SSK	135
96	ST6-2496SSK	118	ST6-3096SSK	139	ST6-3696SSK	155
108	ST6-24108SSK	130	ST6-30108SSK	153	ST6-36108SSK	171
120	ST6-24120SSK	142	ST6-30120SSK	167	ST6-36120SSK	187



John Boos & Co

3601 S. Banker Str - Effingham, IL 62401 Phone: 217-347-7701 - Fax: 217-347-7705
 Email: sales@johnboos.com - Web-site: www.johnboos.com



July 2013

John Boos is constantly engaged in a program of improving products and therefore reserves the right to change specification without prior notice