



## "ST6R5-SSK" Stainless Steel Top Work Tables w/ Riser

w/ 16 Gauge Stainless Steel Work Top  
w/ Stainless Base & Adjustable Undershef



Item #	_____	Qty	_____
Model #	_____		
Project	_____		

**AUTOQUOTES**



16 GAUGE TOP w/ ADJUSTABLE UNDERSHELF					
24"WIDE	Qty	30"WIDE	Qty	36"WIDE	Qty
ST6R5-2430SSK		ST6R5-3030SSK			
ST6R5-2436SSK		ST6R5-3036SSK		ST6R5-3636SSK	
ST6R5-2448SSK		ST6R5-3048SSK		ST6R5-3648SSK	
ST6R5-2460SSK		ST6R5-3060SSK		ST6R5-3660SSK	
ST6R5-2472SSK		ST6R5-3072SSK		ST6R5-3672SSK	
ST6R5-2484SSK		ST6R5-3084SSK		ST6R5-3684SSK	
ST6R5-2496SSK		ST6R5-3096SSK		ST6R5-3696SSK	
ST6R5-24108SSK		ST6R5-30108SSK		ST6R5-36108SSK	
ST6R5-24120SSK		ST6R5-30120SSK		ST6R5-36120SSK	

### FEATURES:

- \* 16 Gauge Stainless Steel Top with 5" Riser & turndown  
Type 300 stainless steel with # 4 polish, satin finish
- \* Top is **Sound Deadened**
- \* Reinforced with 1"x2" channel running entire length of table
- \* 1 1/2" **Stallion Edge** on front and rear with side edges 90 degree bend down for table line-up
- \* Stainless Steel Base with **Adjustable** Undershef
- \* Adjustable bullet feet
- \* Shipped knocked-down, easy - to - assemble
- \* NSF Approved



### CONSTRUCTION:

Top: Stainless Steel Tops are TIG welded, Exposed welds are polished to match adjacent surface.

### MATERIAL:

Top: 16 gauge stainless steel  
Type 300 stainless steel with # 4 polish, satin finish

Shelf: 18 gauge stainless steel  
\*\* 36" Wide Tables, 16 Gauge Lower Shelf

Legs: 1 5/8" Round O.D., 16 gauge tubular galvanized steel

Gussets: Stainless Steel

Feet: 1" adjustable stainless steel bullet feet

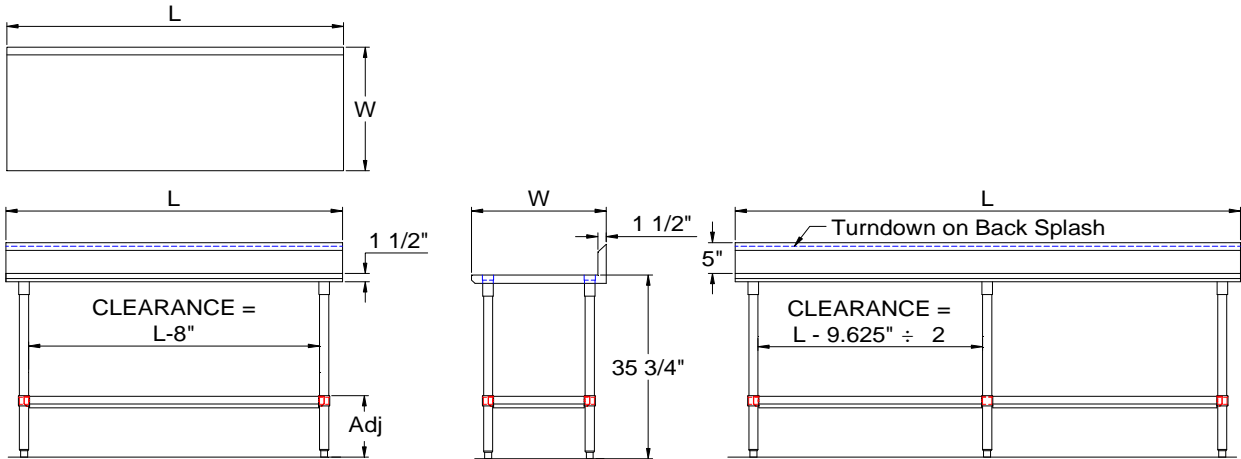
### OPTIONAL ACCESSORIES

	MODEL #	Qty
DRAWER		
DRAWER LOCK		
CASTERS		
OVERSHELVES		
SINKS		
POT RACK		

## John Boos & Co

3601 S. Banker Street - Effingham, IL 62401  
Phone: 217-347-7701 - Fax: 217-347-7705  
Email: sales@johnboos.com - Web-site: www. johnboos.com

## DETAILED SPECIFICATIONS

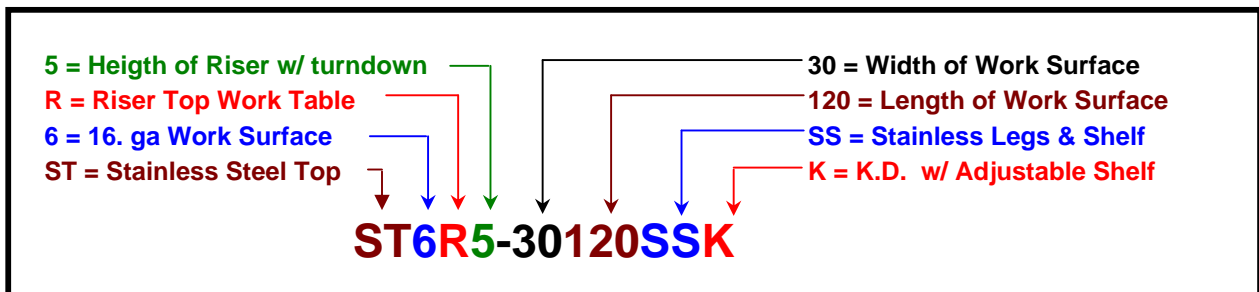


All units ship unassembled for reduced shipping cost.  
 Units 7 ft. and larger are furnished with six legs.  
 All dimensions are typical.  
 Tolerance +/- .500".

Finished size of undershelf.  
 Shelf length = length minus 4.875"  
 Shelf width = width minus 4.25"

### 16 GAUGE TOP & UNDERSHELF

L	24" WIDE	WT.	30" WIDE	WT.	36" WIDE	WT.
30	ST6R5-2430SSK	50	ST6R5-3030SSK	60	-	
36	ST6R5-2436SSK	56	ST6R5-3036SSK	63	ST6R5-3636SSK	80
48	ST6R5-2448SSK	69	ST6R5-3048SSK	78	ST6R5-3648SSK	87
60	ST6R5-2460SSK	82	ST6R5-3060SSK	93	ST6R5-3660SSK	104
72	ST6R5-2472SSK	95	ST6R5-3072SSK	111	ST6R5-3672SSK	123
84	ST6R5-2484SSK	112	ST6R5-3084SSK	128	ST6R5-3684SSK	144
96	ST6R5-2496SSK	129	ST6R5-3096SSK	176	ST6R5-3696SSK	165
108	ST6R5-24108SSK	142	ST6R5-30108SSK	163	ST6R5-36108SSK	183
120	ST6R5-24120SSK	155	ST6R5-30120SSK	178	ST6R5-36120SSK	200



### John Boos & Co

3601 s. Banker Str - Effingham, IL 62401 Phone: 217-347-7701 - Fax: 217-347-7705  
 Email: sales@johnboos.com - Web-site: www.johnboos.com



July 2013

John Boos is constantly engaged in a program of improving products and therefore reserves the right to change specification without prior notice