



## "ST6R5-SBK" Stainless Steel Top Work Tables w/ Riser

w/ 16 Gauge Stainless Steel Work Top  
w/ Stainless Base & Adjustable Bracing



Item #	_____	Qty	_____
Model #	_____		
Project	_____		

AUTOQUOTES



16 GAUGE TOP w/ ADJUSTABLE BRACING					
24"WIDE	Qty	30"WIDE	Qty	36"WIDE	Qty
ST6R5-2430SBK		ST6R5-3030SBK		-	
ST6R5-2436SBK		ST6R5-3036SBK		ST6R5-3636SBK	
ST6R5-2448SBK		ST6R5-3048SBK		ST6R5-3648SBK	
ST6R5-2460SBK		ST6R5-3060SBK		ST6R5-3660SBK	
ST6R5-2472SBK		ST6R5-3072SBK		ST6R5-3672SBK	
ST6R5-2484SBK		ST6R5-3084SBK		ST6R5-3684SBK	
ST6R5-2496SBK		ST6R5-3096SBK		ST6R5-3696SBK	
ST6R5-24108SBK		ST6R5-30108SBK		ST6R5-36108SBK	
ST6R5-24120SBK		ST6R5-30120SBK		ST6R5-36120SBK	

### FEATURES:

- \* 16 Gauge Stainless Steel Top with 5" Riser & turndown  
Type 300 stainless steel with # 4 polish, satin finish
- \* Top is **Sound Deadened**
- \* Reinforced with 1"x2" channel running entire length of table
- \* 1 1/2" **Stallion Edge** on front and rear with side edges 90 degree bend down for table line-up
- \* Stainless Base with **Adjustable** Bracing
- \* Adjustable bullet feet
- \* Shipped knocked-down, easy - to - assemble
- \* NSF Approved



### CONSTRUCTION:

Top: Stainless Steel Tops are TIG welded, Exposed welds are polished to match adjacent surface.

### MATERIAL:

Top: 16 gauge stainless steel  
Type 300 stainless steel with # 4 polish, satin finish

Bracing: 1 1/4" Round O.D. 18 gauge stainless steel

Legs: 1 5/8" Round O.D., 16 gauge tubular stainless steel

Gussets: Stainless Steel

Feet: 1" adjustable stainless bullet feet

### OPTIONAL ACCESSORIES

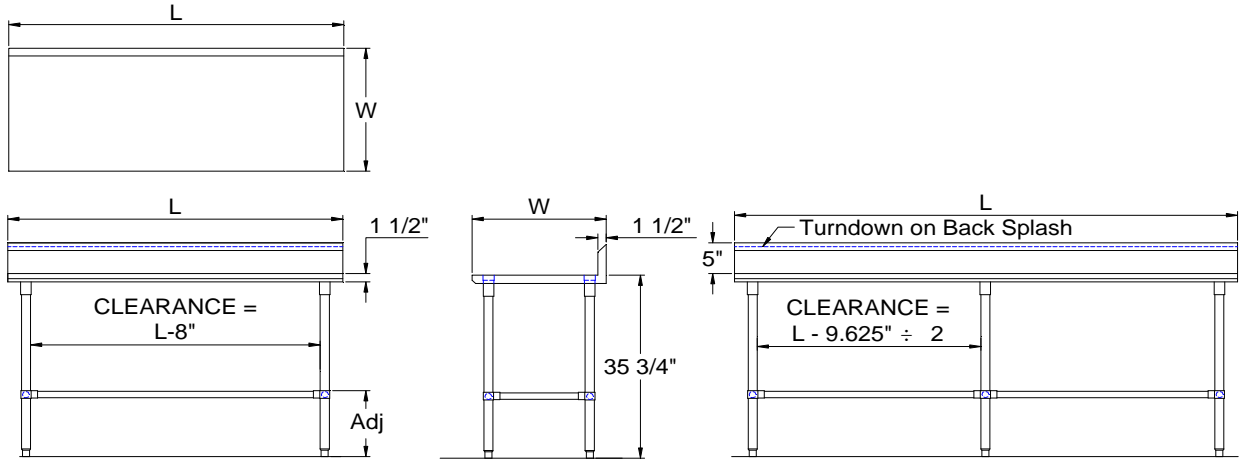
	MODEL #	Qty
DRAWER		
DRAWER LOCK		
CASTERS		
OVERSHELVES		
SINKS		
POT RACK		

## John Boos & Co

3601 S. Banker Street - Effingham, IL 62401  
Phone: 217-347-7701 - Fax: 217-347-7705

Email: sales@johnboos.com - Web-site: www. johnboos.com

## DETAILED SPECIFICATIONS

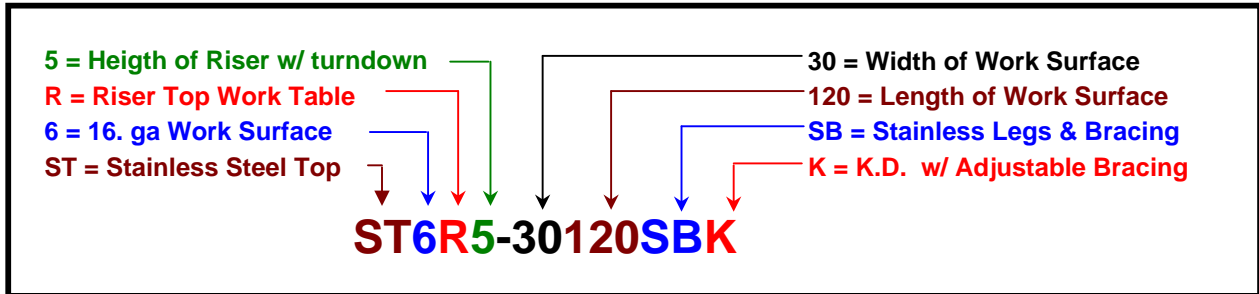


All units ship unassembled for reduced shipping cost.  
 Units 7 ft. and larger are furnished with six legs.  
 All dimensions are typical.  
 Tolerance +/- .500".

Finished size of undershelf.  
 Shelf length = length minus 4.875"  
 Shelf width = width minus 4.25"

### 16 GAUGE TOP & UNDERSHELF

L	24" WIDE	WT.	30" WIDE	WT.	36" WIDE	WT.
30	ST6R5-2430SBK	43	ST6R5-3030SBK	45	-	
36	ST6R5-2436SBK	49	ST6R5-3036SBK	53	ST6R5-3636SBK	65
48	ST6R5-2448SBK	58	ST6R5-3048SBK	64	ST6R5-3648SBK	72
60	ST6R5-2460SBK	69	ST6R5-3060SBK	76	ST6R5-3660SBK	80
72	ST6R5-2472SBK	79	ST6R5-3072SBK	87	ST6R5-3672SBK	93
84	ST6R5-2484SBK	93	ST6R5-3084SBK	103	ST6R5-3684SBK	110
96	ST6R5-2496SBK	107	ST6R5-3096SBK	118	ST6R5-3696SBK	127
108	ST6R5-24108SBK	117	ST6R5-30108SBK	130	ST6R5-36108SBK	139
120	ST6R5-24120SBK	127	ST6R5-30120SBK	141	ST6R5-36120SBK	151



### John Boos & Co

3601 S. Banker Str. - Effingham, IL 62401 Phone: 217-347-7701 - Fax: 217-347-7705  
 Email: sales@johnboos.com - Web-site: www.johnboos.com



July 2013

John Boos is constantly engaged in a program of improving products and therefore reserves the right to change specification without prior notice