

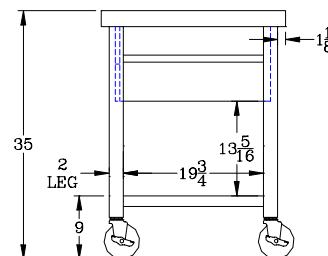
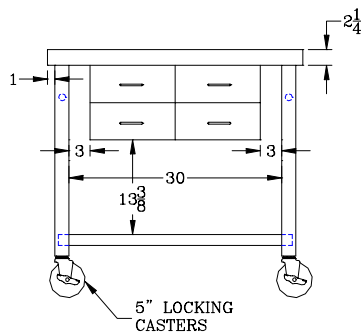
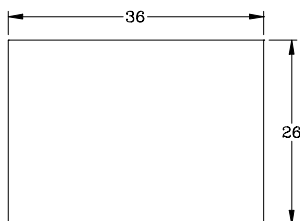
Cucina Veneto



FEATURES:

- 1-1/2" Thick Top (Food Service Grade Stainless 18/8)
- Food Service Grade Stainless 18/8
- Four Dovetailed Maple Drawers
- Commercial Grade 5" Locking Casters
- 35" High Overall
- Shipped Knocked Down / UPSable
- 2 Cartons

Model	Size	Wt
VEN3626	36"x26"	162



MATERIAL:

Top: Edge Grain Hard Rock Maple
 Shelf: 18 gauge type 304 stainless steel, # 3 polish, satin finish
 Legs: 18 gauge type 304 stainless steel, # 3 polish, satin finish

John Boos & Co

315 South First Street - Effingham, IL 62401

Phone: 217-347-7701 - Fax: 217-347-7705

Email: sales@johnboos.com - Web-site: www.johnboos.com