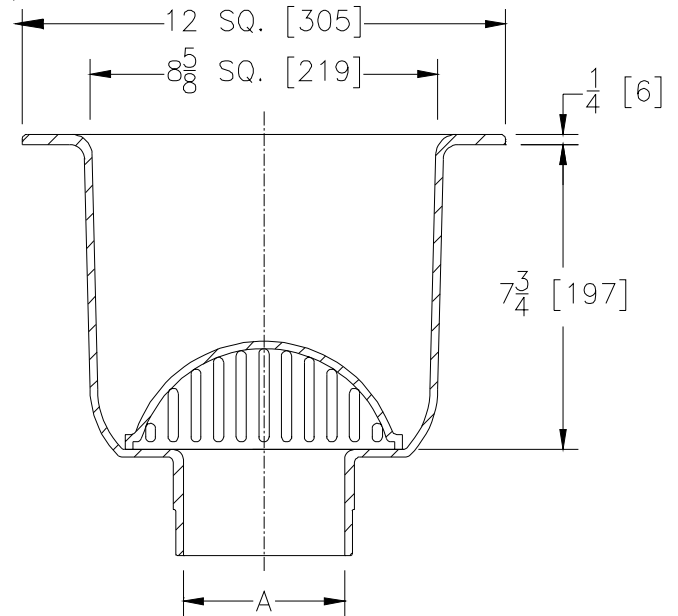


Dimensional Data (inches and [ mm ]) are Subject to Manufacturing Tolerances and Change Without Notice



Product	'A' Connections
__ FD2376-NH2	2 [51] No-Hub
__ FD2376-NH3	3 [76] No-Hub
__ FD2376-NH4	4 [102] No-Hub

**FD2376 12x12 [305x305] A.R.E. Floor Sink 8 [203] Sump Depth**

Recommended for sanitary installations. It consists of a cast iron body with a white acid-resisting porcelain enamel interior coating, and an ABS anti-splash dome strainer.

**OPTIONS:**

- \_\_\_ -F Full Grate
- \_\_\_ -H 1/2 Grate
- \_\_\_ -T 3/4 Grate
- \_\_\_ -Y Sediment Bucket

**Typical Installation**

