



ISE Advantage

ICE DISPENSER 1000

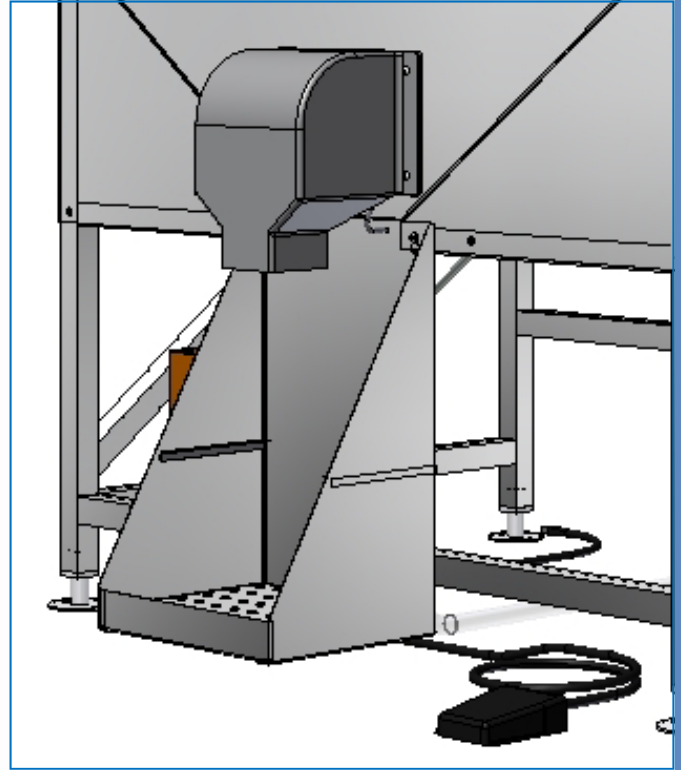




ISE Advantage



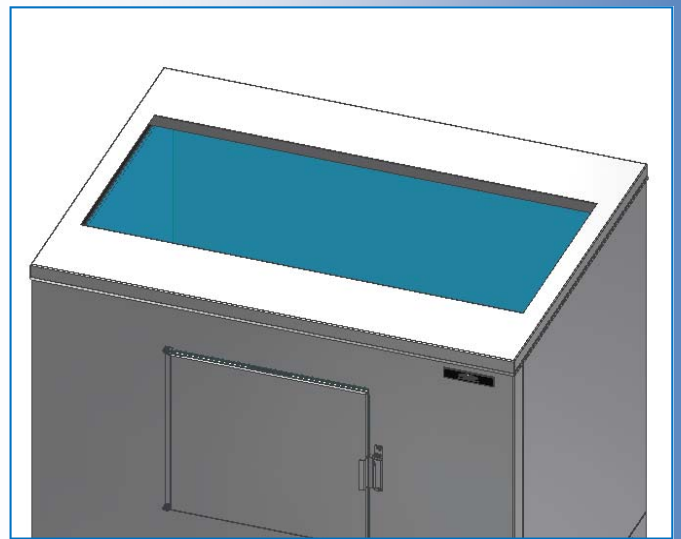
Dispenser 1000



Ice Bagger Tray



Access Door



Ice Maker Enclosure

Phone: 1-800-346-3246
Fax: (303) 789-1741
E-mail: dhall@kloppenberg.com
www.kloppenberg.com



ISE Advantage

PACKAGE FEATURES

- ◆ Ice Dispenser 1000
48" W x 71" T x 36" D
1000 lb capacity
110V power
- ◆ Foot pedal dispensing
- ◆ Accommodates any ice maker
- ◆ Adjustable bullet feet
Flanged feet and casters available
- ◆ Adjustable bag shelf for 8-12lb bags
Custom sizes available
- ◆ Optional timed agitation available
- ◆ Optional bag blower available

MATERIALS:

- ◆ 304 stainless steel
- ◆ Seamless poly liner
- ◆ Polished finish

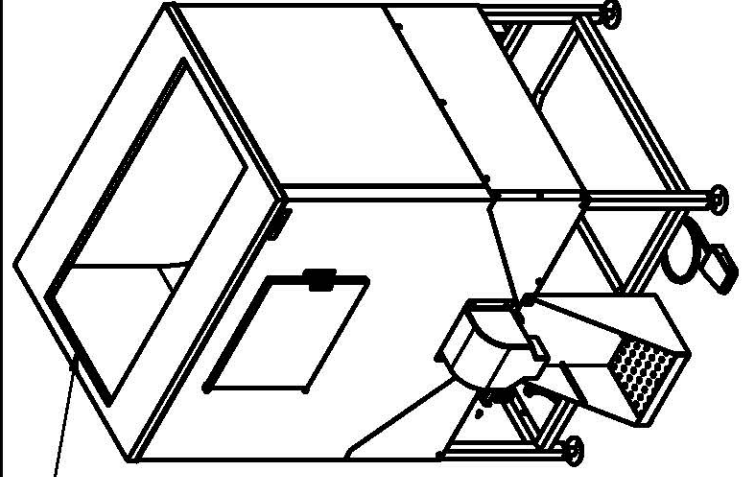
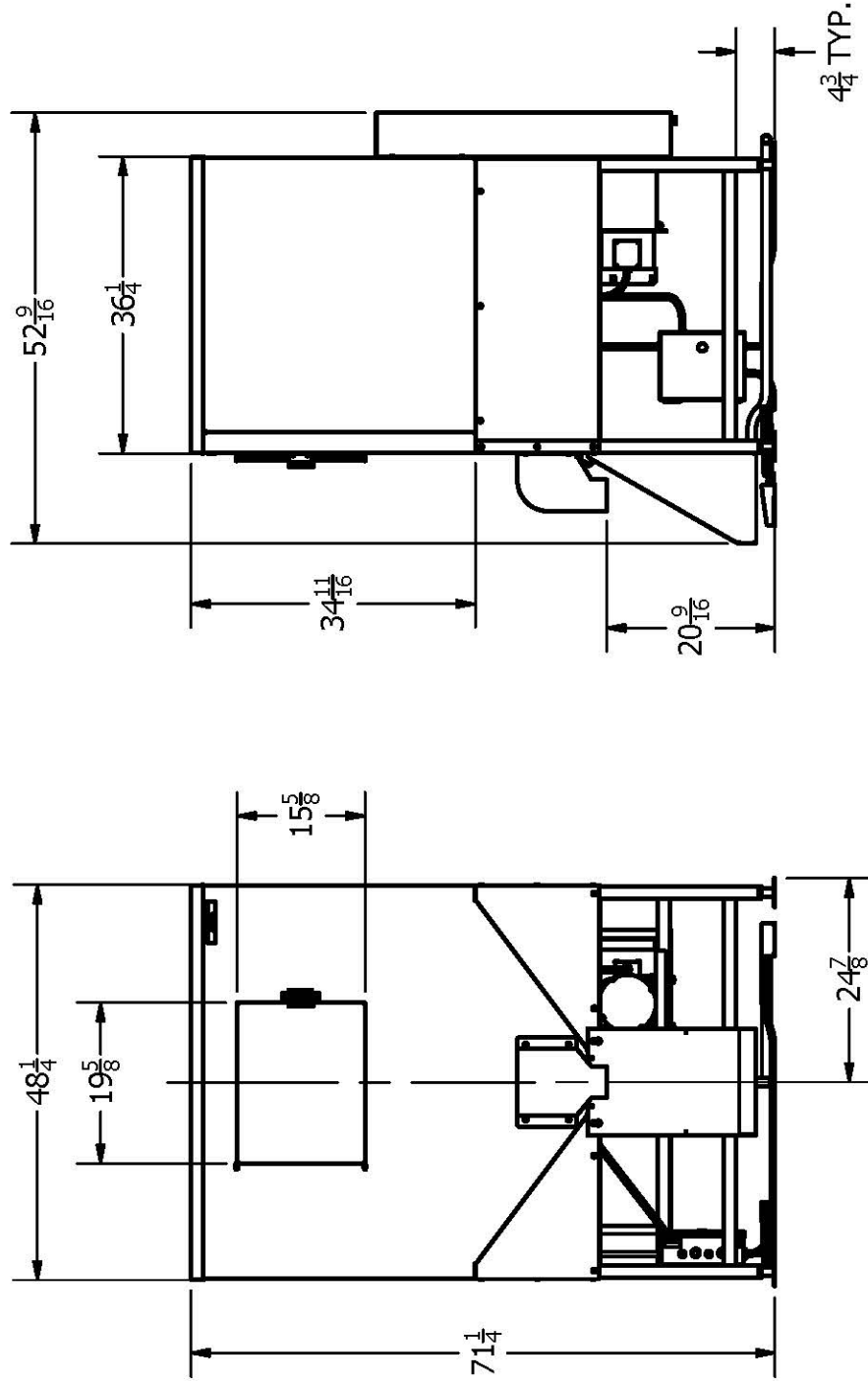
INDUSTRIES SERVED:

- ◆ Food service
- ◆ Convenience stores
- ◆ Service Centers
- ◆ Municipalities
- ◆ City Centers
- ◆ Utilities
- ◆ Construction
- ◆ Sports
- ◆ Manufacturing
- ◆ Mining

*See individual product cut sheets for further specifications.

Phone: 1-800-346-3246
Fax: (303) 789-1741
E-mail: dhall@kloppenberg.com
www.kloppenberg.com

-CLOSURES TO ACCOMMODATE ALL ICE MACHINE MANUFACTURERS
 -STAINLESS STEEL CLOSURE & FRAME



DATE: 8/1/2011
DRAWN BY: dr aft7
SCALE:
PART NO. DISP 1000
SHEET 1 OF 1

TITLE: DISPENSER 1000
MATERIAL:
DO NOT SCALE DRAWING

UNLESS OTHERWISE SPECIFIED TOLERANCE IS ± 1/16"	
NO.	REVISION
	DATE

THIS DOCUMENT AND ALL INFORMATION SHOWN HEREON ARE THE EXCLUSIVE PROPERTY OF KLOPPENBERG & COMPANY. USE OR DUPLICATION OF THIS DOCUMENT WITHOUT PRIOR WRITTEN CONSENT IS PROHIBITED, AND SHALL BE RETURNED UPON REQUEST.