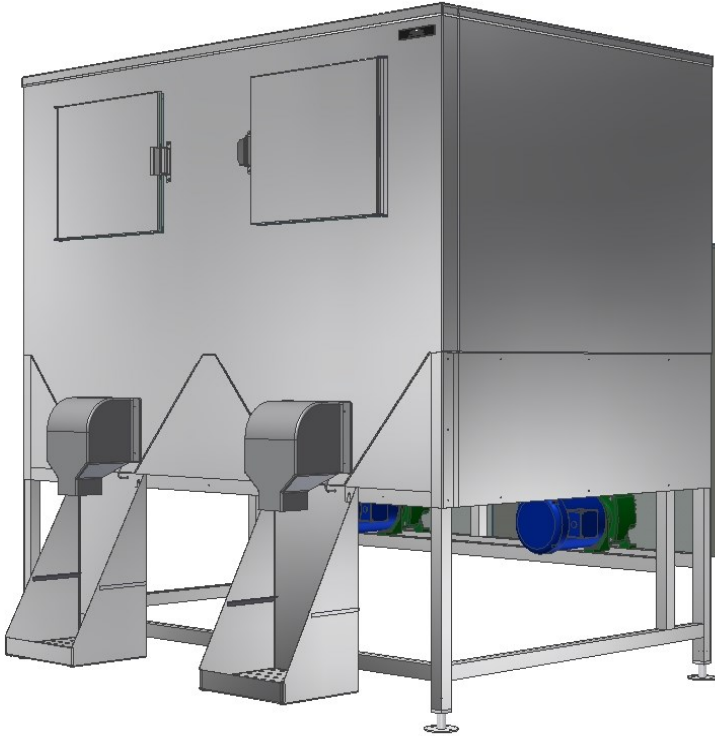




## ISE Advantage

Ice Storage, Dispensing & Transportation Equipment



Job \_\_\_\_\_  
Item \_\_\_\_\_

## Ice Storage Dispenser

<b>Model Number</b>
DISP-5000-IBU

### Features

- Automatic ice dispensing\
- Fully welded stainless steel auger
- Fully welded stainless steel agitator(s)
- 1/2HP motor(s) with torque overload and recovery
- 240 volt, single phase, 15 amp power
- Push button activated
- Sturdy bin structure
- Adjustable bag shelf
- Adjustable feet
- Minimal silicone
- First in first out ice
- Factory installed drain
- Fully welded base frame
- All systems are shipped fully assembled
- Timed dispensing
- Timed agitation
- Bag blower
- Wicket assembly



ACTIVELY SUPPORTING



**Toll Free Phone: 1-800-346-3246**

**Local Phone: (303) 761-1615**

**Fax: (303) 789-1741**

**E-mail: [dhall@kloppenberg.com](mailto:dhall@kloppenberg.com)**

**[www.kloppenberg.com](http://www.kloppenberg.com)**

### Options

- Power conversion
- Private labeling
- Coved corners
- Security package
- Custom designs / applications

### Applications

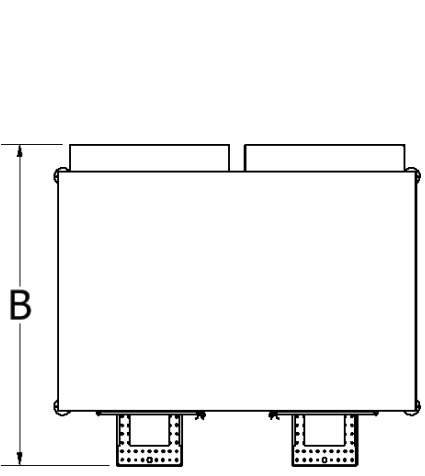
- Convenience Stores
- Grocery Stores
- Liquor Stores
- Marinas
- Vending

12/11/2015

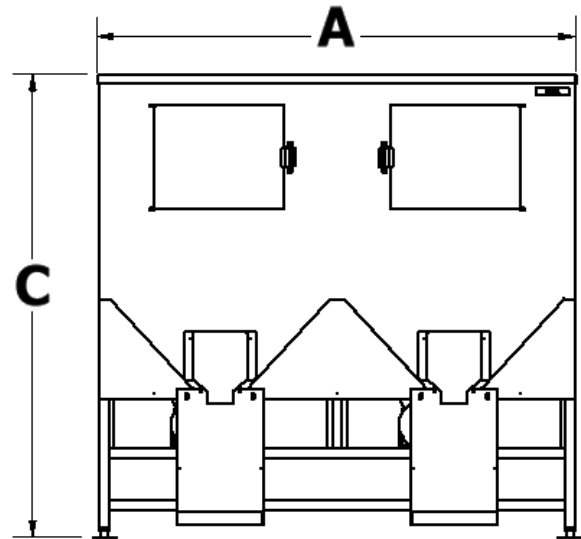
Printed in U.S.A.

<b>Model Number</b>
DISP-2000-IBU

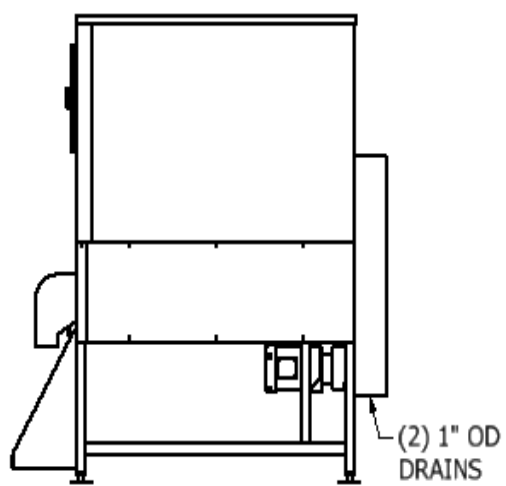
# Ice Storage Dispenser



**TOP VIEW**



**FRONT VIEW**

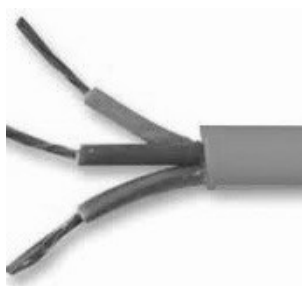


**SIDE VIEW**

Contact factory for details on CAD Symbols Library availability on this product

Model Number	Capacity lbs (kg)	A-Width in (mm)	B-Depth in (mm)	C-Height in (mm)	Minimum Door Clearance in (mm)	Ship Weight lbs (kg)
DISP-5000-IBU	5,729 (2,598)	96 (2,438)	60 (1,524)	90 (2,286)	77 (1,955)	1,915 (868)

**ELECTRICAL CONNECTION:**



**OPTIONS:**

- Stainless steel liner
- Bullet or flanged feet

**ACCESSORIES:**

- Bag sealers
- Scoops
- Paddles
- Carts
- Totes

**Toll Free Phone: 1-800-346-3246**  
**Local Phone: (303) 761-1615**

12/11/2015  
 Printed in U.S.A.