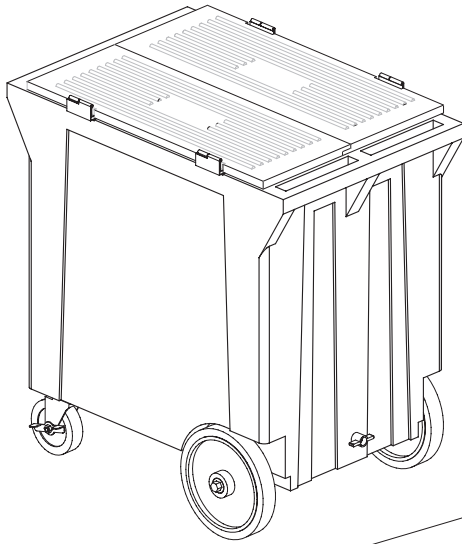


Kloppenberg 2 Cart Shuttle System



APPLICATION CAPACITY

(WIDTH-3)*(DEPTH-3)*(HEIGHT-8)/1728*.9*34

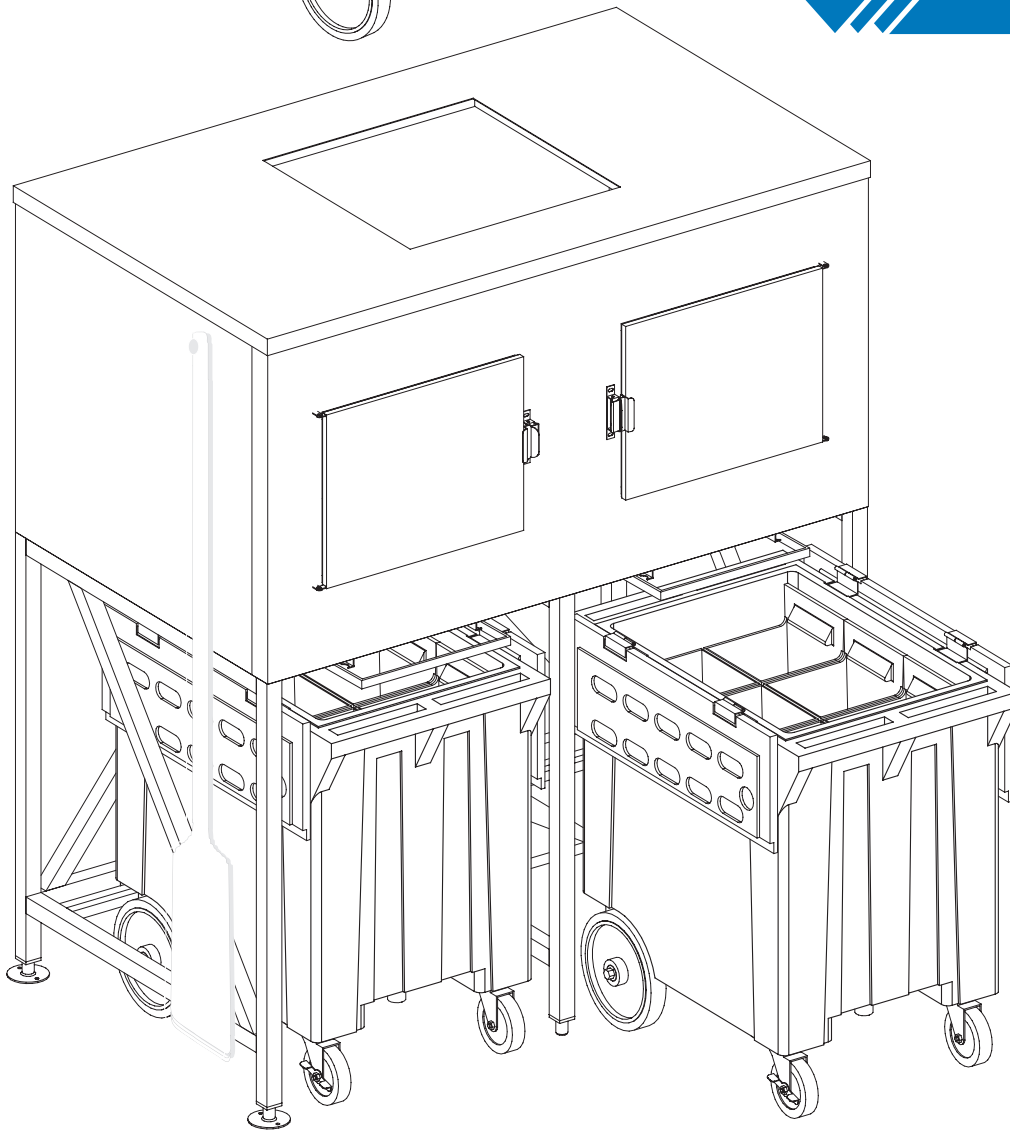
based on total volume per cubic ft x .9 x 34lb (ice density)

| MODEL | W | D | H | CAP |
|-----------|----|----|-----|------|
| SPS-2 | 60 | 36 | 71 | 1500 |
| SPS-2-SL | 60 | 36 | 92 | 2500 |
| SPS-2G | 60 | 48 | 71 | 1800 |
| SPS-2G-SL | 60 | 48 | 101 | 3000 |

Capacity based on box dim and includes cart capacity



SPS-2-SBB



www.kloppenberg.com

JOB:
ITEM:



800-346-3246 303-761-1615 fx 303-789-1741

Kloppenberg & Co
2627 W Oxford Ave
Englewood, CO 80110