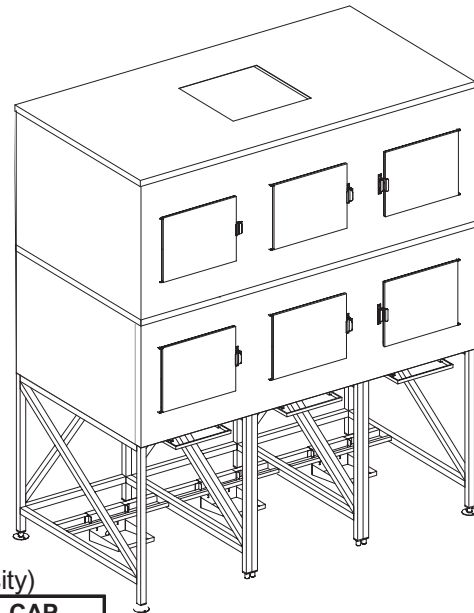
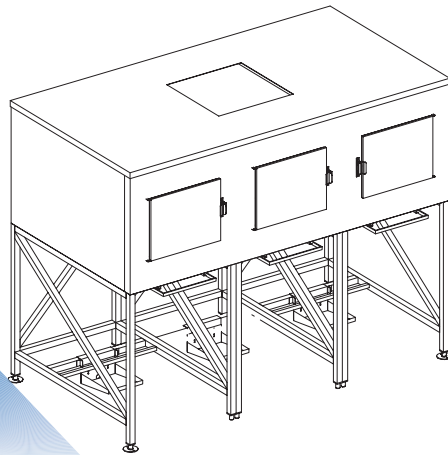


# Kloppenberg 3 Cart Shuttle System



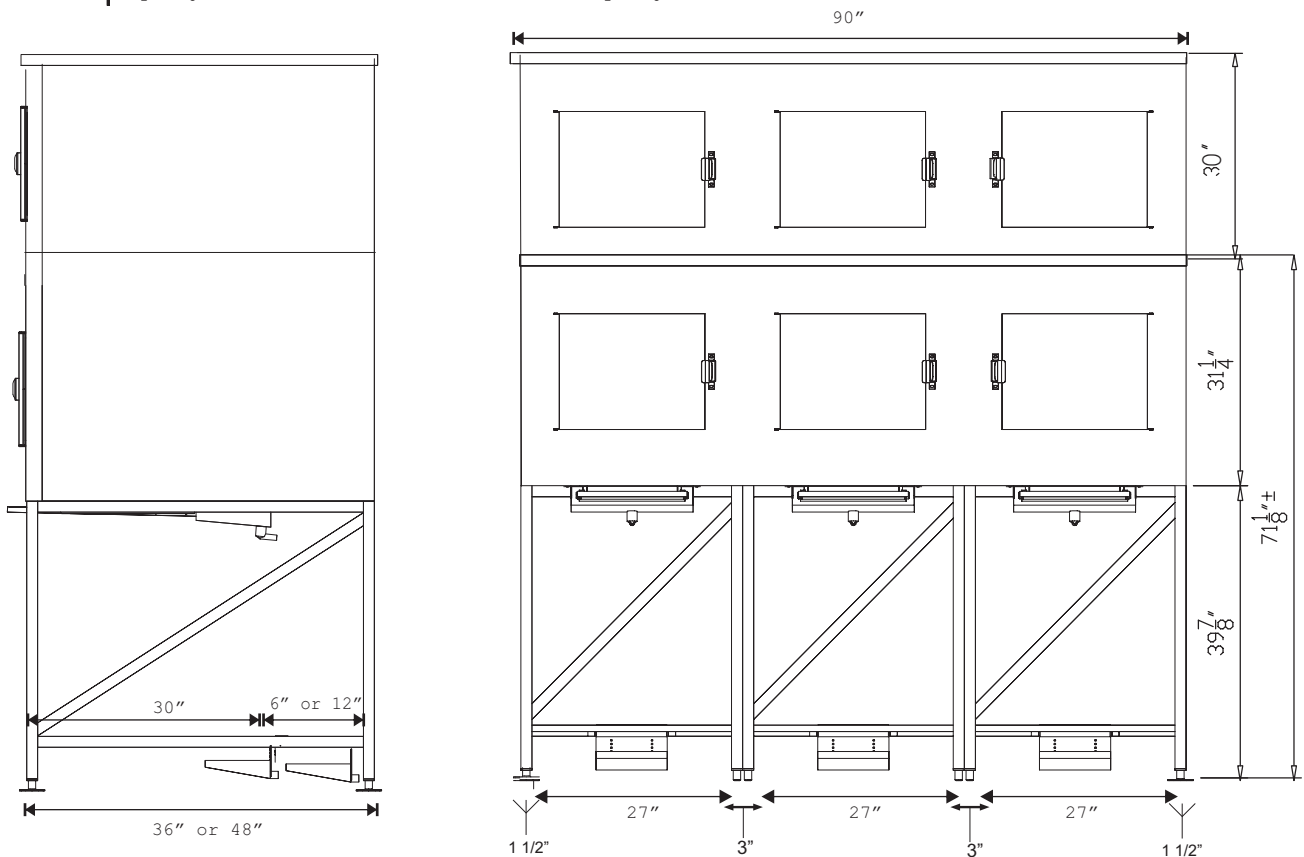
## APPLICATION CAPACITY

(WIDTH-3)\*(DEPTH-3)\*(HEIGHT-8)/1728\*.9\*34

based on total volume per cubic ft x .9 x 34lb (ice density)

MODEL	W	D	H	CAP
SPS-3	90	36	71	2000
SPS-3-SL	90	36	101	3400
SPS-3G	90	48	71	2400
SPS-3G-SL	90	48	101	4300

Capacity based on box dim and includes cart capacity



Measurements are in inches and lbs and height is overall

[www.kloppenberg.com](http://www.kloppenberg.com)

JOB:  
ITEM:



800-346-3246 303-761-1615 fx 303-789-1741

Kloppenberg & Co  
2627 W Oxford Ave  
Englewood, CO 80110