



23 CU. FT. REACH-IN FREEZER

KCBM23F



Dynamic Condenser improves performance in high temperature environments

Automatic Defrost Cooling System provides worry-free performance

3/4 HP Compressor

Stainless Steel Exterior & Interior

Digital Controls

External Temperature Display

Removable Door Gaskets

Adjustable Shelves

Self-Closing Doors with 90-degree stay-open feature

Lock & Key protects the contents of the unit

Heavy Duty Casters



TECHNICAL SPECIFICATIONS

MODEL	KCBM23F
Product Line	Freezer
Capacity (Cu. Ft.)	23.0
Condenser Type	Dynamic
Automatic Defrost Cooling System	Yes
Compressor Horsepower	3/4
Exterior Finish	Stainless Steel
Interior Finish	Stainless Steel
Shelves (Number/Type)	3/Vinyl-Coated Steel
Controls	Digital
Temperature Display Location	External
Temperature Range	-7 to 10°F
Voltage Rating	115V/60Hz
Run Amps	8.3
Plug Type	NEMA 5-15P
Shipping Weight (Lbs.)	358
Warranty	2 Year / 5 Year

Digital Temperature Display

Quick set digital display for easy monitoring.

Stainless Steel Interior

Durable and easy to clean for daily commercial use.

Vinyl Heavy Duty Adjustable Shelves

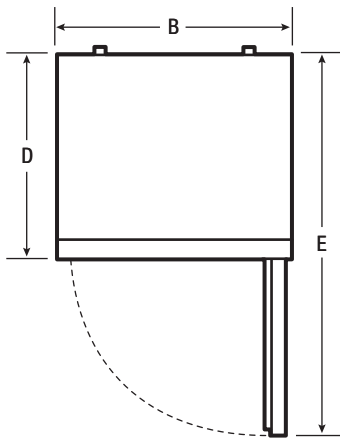
Shelves that are easy to handle and keep clean.



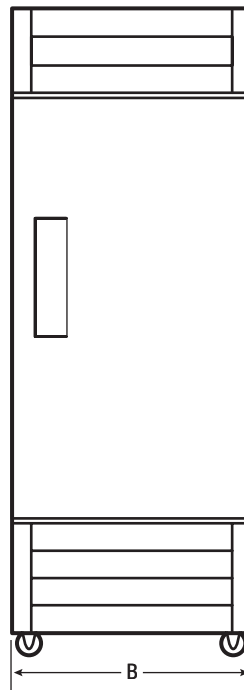


23 CU. FT. REACH-IN FREEZER

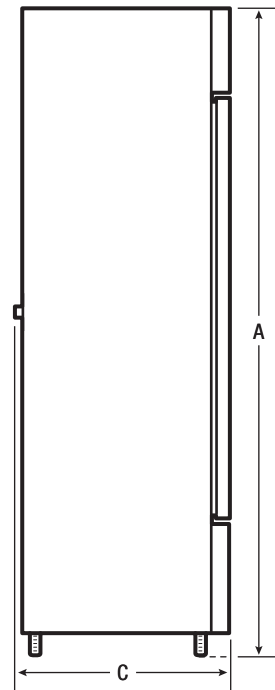
KCBM23F



Top View



Front View



Side View



Plug Type (NEMA)
5-15P

EXTERIOR DIMENSIONS

Height A (Including Casters)	82"
Width B	29"
Overall Depth (Including Door & Handle) C	34"
Cabinet Depth D	32"
Depth (with Door 90° Open) E	58-1/2"

CERTIFICATIONS AND APPROVALS

ENERGY STAR® Qualified	Yes
Safety Certification	ETL
Sanitation Certification	ETL

ACCESSORIES

Shelf	5304486092
Shelf Rail	5304486093
Door Lock	5304487079
Key	5304487080



USA • 10200 David Taylor Drive • Charlotte, NC 28262 • 1-866-738-1640 • kelvinator.com • KelvinatorCommercial.USA@electrolux.com
CANADA • 5855 Terry Fox Way • Mississauga, ON L5V 3E4

KCBM23F 06/12

© 2012 Electrolux Home Products, Inc.

High standards of quality at Electrolux Home Products, Inc. mean we are constantly working to improve our products. We reserve the right to change specifications or discontinue models without notice.