



## 24 CU. FT. GLASS DOOR MERCHANDISER

## KCGM24FB

### FREEZER



**Fin & Tube Condenser** improves performance in high temperature environments

**Automatic Defrost Cooling System** provides worry-free performance

**1 HP Compressor**

**Painted Steel/Painted Aluminum Exterior & Interior**

**Electronic Controls**

**External Temperature Display**

**Removable Door Gasket**

**Adjustable Shelves** Vinyl-Coated Steel

**Self-Closing Swing Door**

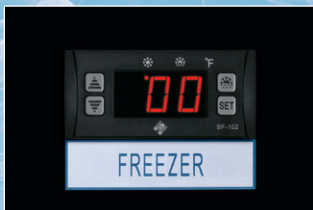


### TECHNICAL SPECIFICATIONS

MODEL	KCGM24FB
Product Line	Freezer
Door(s)/Type	1 Door Swing
Capacity (Cu. Ft.)	24.0
Condenser Type	Fin & Tube
Automatic Defrost Cooling System	Yes
Compressor Horsepower	1
Exterior Finish	Painted Steel
Interior Finish	Painted Aluminum
Shelves (Number/Type)	4/Vinyl-Coated Steel
Control	Electronic
Temperature Display Location	External
Temperature Range	-7 to 10°F
Voltage Rating	115V/60Hz
Run Amps	9.6
Plug Type	NEMA 5-20P
Shipping Weight (Lbs.)	407
Warranty	3 Year/5 Year

### Electronic Digital Temperature Display

Quick set digital display for easy monitoring.



### Vinyl Heavy Duty Adjustable Shelves

Shelves that are easy to handle and keep clean.



### Removable Door Gasket

User replaceable door gasket for easy replacement and cleaning.

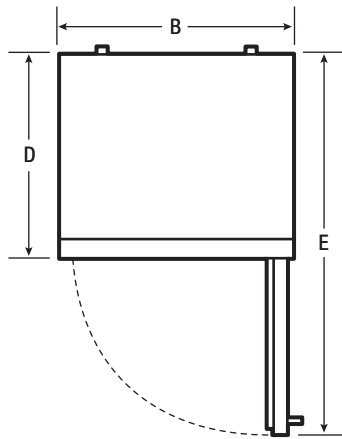




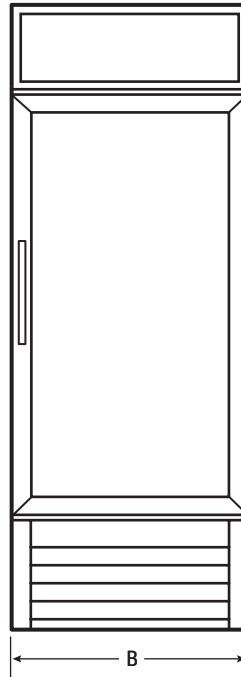
# 24 CU. FT. GLASS DOOR MERCHANDISER

KCGM24FB

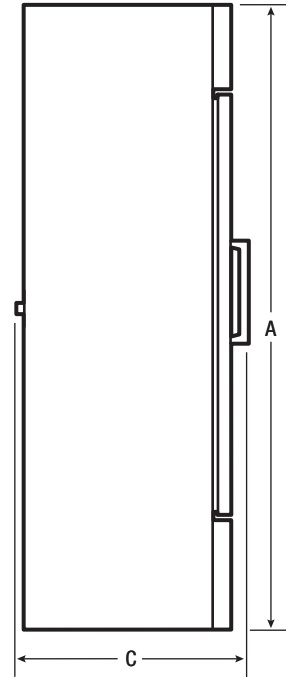
## FREEZER



Top View



Front View



Side View



Plug Type (NEMA)  
5-20P

### EXTERIOR DIMENSIONS

Height <b>A</b> (Including Leveling Legs)	83"
Width <b>B</b>	28"
Overall Depth (Including Door & Handle) <b>C</b>	32"
Cabinet Depth <b>D</b>	30"
Depth (with Door 90° Open) <b>E</b>	58-1/2"

### CERTIFICATIONS AND APPROVALS

Safety Certification	ETL
Sanitation Certification	ETL

### ACCESSORIES

Shelf	5304493131
Shelf Clip	297121900



USA • 10200 David Taylor Drive • Charlotte, NC 28262 • 1-866-738-1640 • kelvinator.com  
CANADA • 5855 Terry Fox Way • Mississauga, ON L5V 3E4

KCGM24F 07/14

© 2014 Electrolux Home Products, Inc.

High standards of quality at Electrolux Home Products, Inc. mean we are constantly working to improve our products. We reserve the right to change specifications or discontinue models without notice.