



12 CU. FT. SANDWICH / SALAD PREP TABLE

KCST48.12



Dynamic Condenser improves performance in high temperature environments

Automatic Defrost Cooling System provides worry-free performance

1/3 HP Compressor

Stainless Steel Exterior & Interior

Mechanical Controls

Removable Door Gaskets

Holds 1/6 Pans

Adjustable Shelves Vinyl-Coated Steel

Self-Closing Doors with 90 degree stay open feature

Heavy Duty Casters



TECHNICAL SPECIFICATIONS

MODEL	KCST48.12
Product Line	Sandwich /Salad Prep Table
Capacity (Cu. Ft.)	12.0
Condenser Type	Dynamic
Automatic Defrost Cooling System	Yes
Compressor Horsepower	1/3
Exterior Finish	Stainless Steel
Interior Finish	Stainless Steel
Cutting Board Dimensions (HxWxD)	.79x46.69x10.55
Pan Allocation	(12) 1/6
Shelves (Number/Type)	2/Vinyl-Coated Steel
Controls	Mechanical
Temperature Range	32 to 50°F
Voltage Rating	115V /60Hz
Run Amps	7.8
Plug Type	NEMA 5-15P
Shipping Weight (Lbs.)	297
Warranty	2 Year /5 Year

Mechanical Controls

Select temperatures as required.



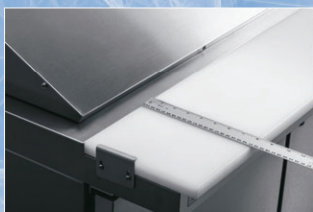
Stainless Steel Interior

Durable and easy to clean for daily commercial use.



Full-Depth Cutting Boards

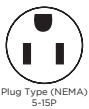
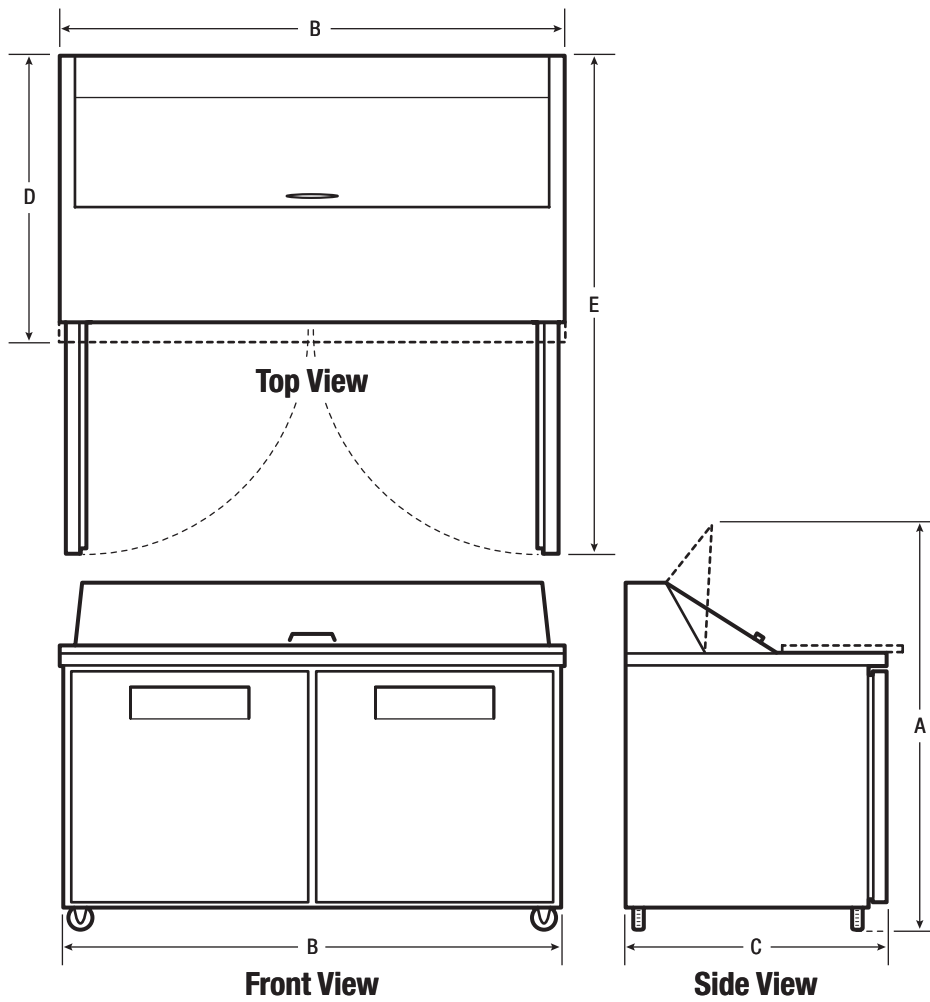
Preparation area designed for work station convenience and safe food handling.





12 CU. FT. SANDWICH / SALAD PREP TABLE

KCST48.12



Plug Type (NEMA)
5-15P

EXTERIOR DIMENSIONS

Height with Lid Open (w/ Casters) A	51"
Width B	47"
Depth (Including Door & Handle) C	30"
Overall Depth (Including Cutting Board) D	30-5/8"
Depth (with Door 90° Open) E	54-1/2"

CERTIFICATIONS AND APPROVALS

Safety Certification	ETL
Sanitation Certification	ETL

ACCESSORIES

Shelf	5304486498
Shelf Clip	5304486366
Pan Divider	5304486624
Cutting Board	5304486626



USA • 10200 David Taylor Drive • Charlotte, NC 28262 • 1-866-738-1640 • kelvinator.com • KelvinatorCommercial.USA@electrolux.com
CANADA • 5855 Terry Fox Way • Mississauga, ON L5V 3E4

KCST48.12 06/12

© 2012 Electrolux Home Products, Inc.

High standards of quality at Electrolux Home Products, Inc. mean we are constantly working to improve our products. We reserve the right to change specifications or discontinue models without notice.