



ITEM NO. _____
PROJECT _____
LOCATION _____
DATE _____ QTY. _____



KSDD SERIES

Direct Draw Beer Coolers

MODELS

- KSDD24
- KSDD59
- KSDD69
- KSDD79
- KSDD95

FEATURES

CONSTRUCTION

- Stainless steel top
- Black vinyl coated steel finish on front, door, sides and back
- Galvanized steel interior with stainless steel floors
- Foamed-in-place with low ODP polyurethane insulation
- Wall thickness: 1 1/2"
- Interior fluorescent light (except for KSDD24)
- Standard analog thermostat
- 3" diameter polished stainless steel draft towers cooled by continuous cold air circulation through channel air distribution system
- KSDD59 and KSDD69 standard with (1) 2-way gas valve, KSDD79 has (1) 3-way valve and KSDD95 has (1) 4-way valve
- Heavy-duty stainless steel threshold guard
- Standard casters on KSDD24
- Standard glass rail on KSDD24

DOORS

- Standard door locks on each door
- Magnetic door gaskets, removable without tools
- Door openings have plastic breaker strips to reduce condensation

REFRIGERATION

- Self-contained refrigeration system metered by capillary tube
- Front breathing compressor on left side
- KSDD24 model is rear breathing with internal drain, internal CO2 chain harness. Other models have knockout plate for external CO2 placement.
- Evaporator coils are mounted to left side and are epoxy-coated to resist corrosion
- Evaporator coils feature large fan motor and blades for greater air flow
- Condensate evaporator
- Access to slide-out condensing unit behind front grille for easy cleaning and service

- Rear drain connection for drip pan located in rear of compressor housing
- Refrigerant: R-134a
- Temperature range: 33° to 38°F (5° to 3°C)

WARRANTY

- Standard limited four year extended compressor and one year limited parts and labor

OPTIONS

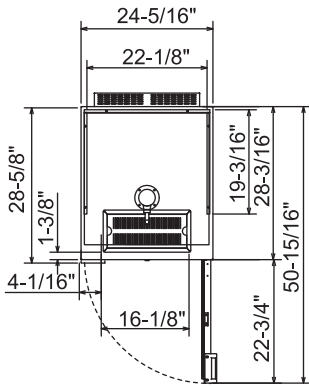
- Floor protector
- 3" casters
- Single tap draft tower
- Double tap draft tower



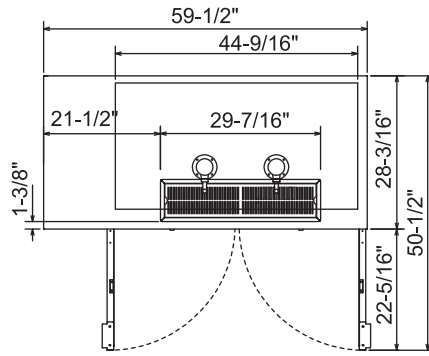
TECHNICAL SPECIFICATIONS

MODEL	DIMENSIONS (in.)			DIMENSIONS (mm)			VOLTS	AMPS	UNIT H.P.	NO. OF DOORS	NO. OF TOWERS	NO. OF TAPS	NO. OF KEGS**	SHIP CU. FT.	SHIP WT. (LB/KG)
	L	D	H*	L	D	H*									
KSDD24	24 ⁵ / ₁₆	31 ¹ / ₈	54 ¹ / ₈	618	791	1375	115	2.5	1/6	1	1 single	1	1	21.0	181/82
KSDD59	59 ¹ / ₂	28 ³ / ₁₆	51 ¹ / ₄	1283	716	1302	115	6.6	1/3	2	2 single	2	3	51.0	310/141
KSDD69	69 ¹ / ₂	28 ³ / ₁₆	51 ¹ / ₄	1765	716	1302	115	6.6	1/3	2	2 single	2	3	59.0	356/162
KSDD79	80	28 ³ / ₁₆	51 ¹ / ₄	2032	716	1302	115	6.6	1/3	3	1 single, 1 double	3	4	68.0	375/170
KSDD95	95 ¹ / ₂	28 ³ / ₁₆	51 ¹ / ₄	2426	716	1302	115	7.2	1/3	3	2 double	4	5	81.0	418/190

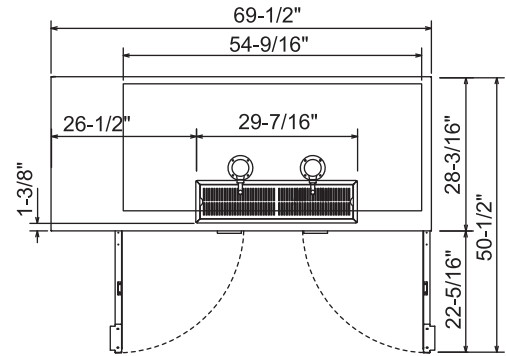
*Height includes draft towers **Keg capacity: 16 gallon.



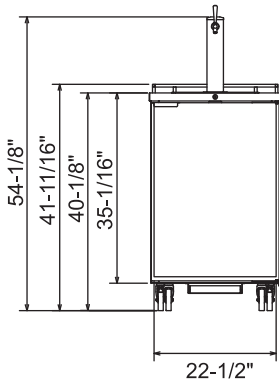
KSDD24 PLAN VIEW



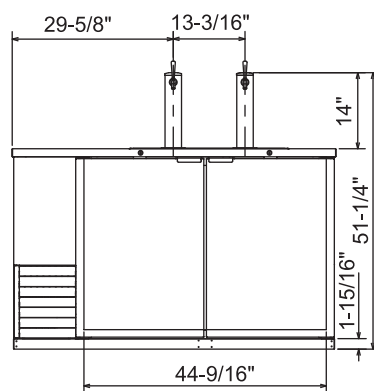
KSDD59 PLAN VIEW



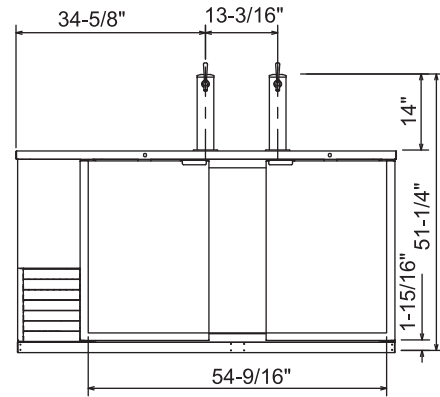
KSDD69 PLAN VIEW



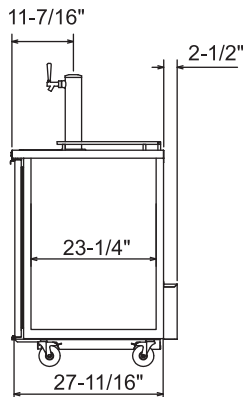
KSDD24 ELEVATION VIEW



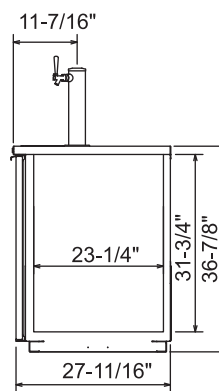
KSDD59 ELEVATION VIEW



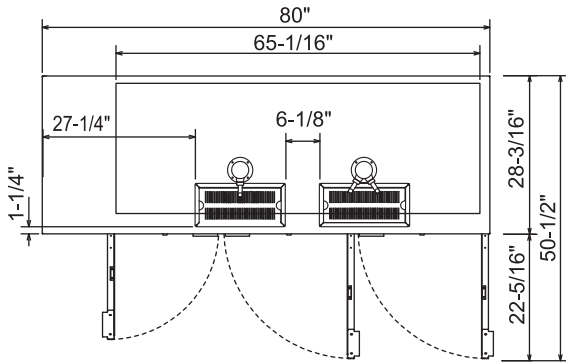
KSDD69 ELEVATION VIEW



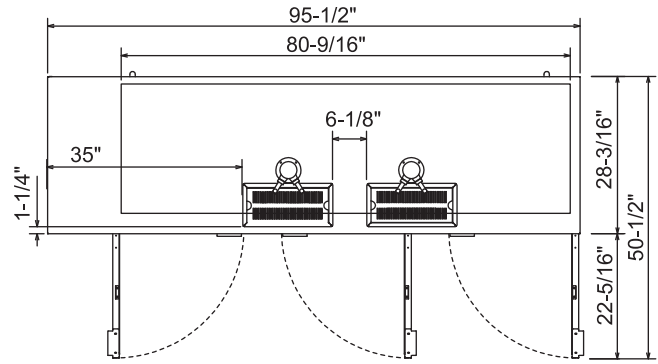
KSDD24 SIDE VIEW



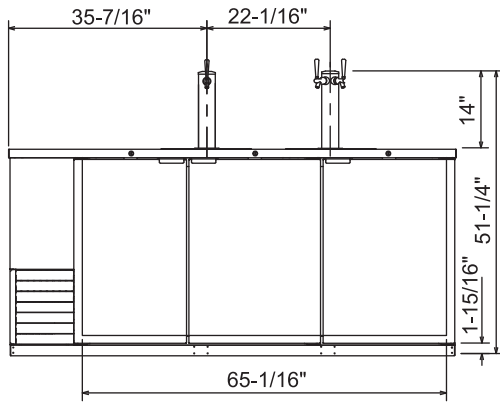
KSDD59 & KSDD69 SIDE VIEW



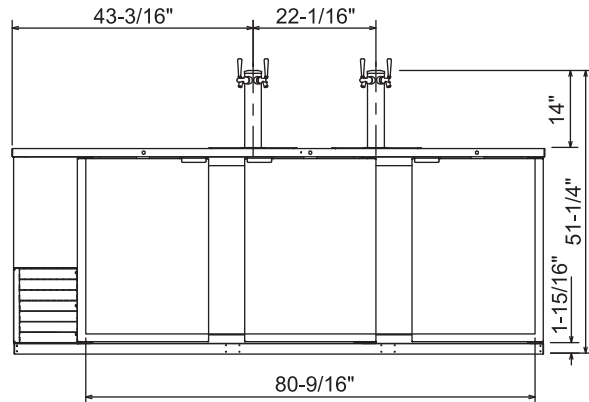
KSDD79 PLAN VIEW



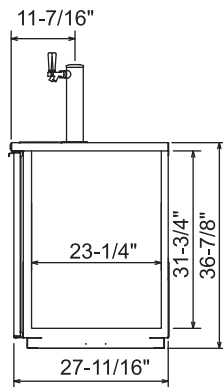
KSDD95 PLAN VIEW



KSDD79 ELEVATION VIEW



KSDD95 ELEVATION VIEW



KSDD79 & KSDD95 SIDE VIEW

LISTINGS



HOOKUP

All models via plug in, 8 foot long flexible three wire 16 gauge cord with molded plug.



NEMA 5-15P



Kool Star[®]

KSDD SERIES
DIRECT DRAW BEER COOLERS

BID SPECIFICATIONS

Item no. KSDD_____.

Provide _____Direct Draw Beer Coolers, Kool Star model no.

KSDD_____.

Beer coolers will feature stainless steel top and black vinyl coated steel finish on front, door, sides and back. Interior will be galvanized steel with stainless steel floors. Doors will have standard locks. Door openings will have plastic breaker strips to reduce condensation. A heavy-duty stainless steel threshold guard will also be standard.

Standard three-inch diameter

polished stainless steel draft towers will be cooled by continuous cold air circulation through the channel air distribution system.

KSDD59 and KSDD69 models will be standard with (1) 2-way gas valve, the KSDD79 model will have (1) 3-way valve and the KSDD95 model will have (1) 4-way valve.

The refrigeration system will be self-contained and use R-134a refrigerant. The temperature range will be 33° to 38°F (.5° to 3°C). System will be equipped with coated evaporator coils and a conden-

sate evaporator. Condensing unit will be slide-out type for easy cleaning and service.

KSDD24 model will be rear breathing with internal drain and internal CO² chain harness. Other models will have knockout plate for external CO² placement.

Beer cooler to have standard limited 4 year extended compressor warranty and one year limited parts and labor warranty.

Beer cooler to be ETL listed in the U.S. and Canada and ETL Sanitation listed.

NOTE: Cabinet designed for optimum performance in air-conditioned area at 75°F ambient and 55% relative humidity.
All specifications subject to change without notice.



908 Hwy 15 North • New Albany, MS 38652
Sales: 888-478-8600 • Service: 855-815-4567
www.koolstar.com



1399-8/12-aq
©Kool Star division of Standex International, Inc. All rights reserved. Printed in U.S.A.