

ITEM NO. _____
 PROJECT _____
 LOCATION _____
 DATE _____ QTY. _____



**STANDARD
 INTERIOR LED
 LIGHTING**



KSGRP48-SL

KSGRP-SL SERIES

Bottom Mounted
 Slide Glass Door
 Refrigerator Merchandisers
 With Lighted Sign

MODELS

- KSGRP48-SL
- KSGRP74-SL

FEATURES

CONSTRUCTION

- Standard interior LED lighting
- Electronic digital thermostat
- 24 gauge painted textured galvanized steel interior and exterior
- Standard exterior finishes: Black or white
- Standard interior finish: White with stainless steel floor
- Top backlit graphic panel (standard blank sign applied without graphics)
- 1³/₄" thick state-of-the-art, foamed-in-place "zero ODP" polyurethane insulation provides high R-value
- Adjustable legs for leveling
- Four adjustable heavy-duty epoxy-coated shelves per door adjustable on 1/2" pilasters
- Merchandiser profile matches other KSGRP/KSGFP refrigerator and freezer models

DOORS

- Auto-close, double pane, safety glass doors
- Contemporary style black door frame

REFRIGERATION

- Self-contained bottom mount refrigeration system designed for optimum energy efficiency and low noise
- ENERGY STAR qualified, may be eligible for rebate programs
- Top mounted, low profile interior evaporator housing
- Energy-free condensate removal
- Refrigerant: R-134a
- Temperature range: 34° to 41°F (1° to 5°C)

WARRANTY

- **Standard limited three year parts and labor**
- **Additional two year coverage on compressor part**

OPTIONS

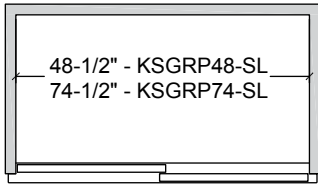
- Casters
- Additional shelving



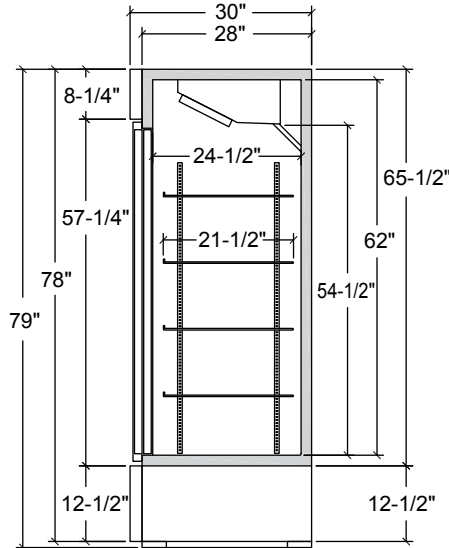
KSGFP-SL SERIES
 BOTTOM MOUNTED SLIDE GLASS DOOR
 REFRIGERATOR MERCHANDISERS WITH LIGHTED SIGN

TECHNICAL SPECIFICATIONS

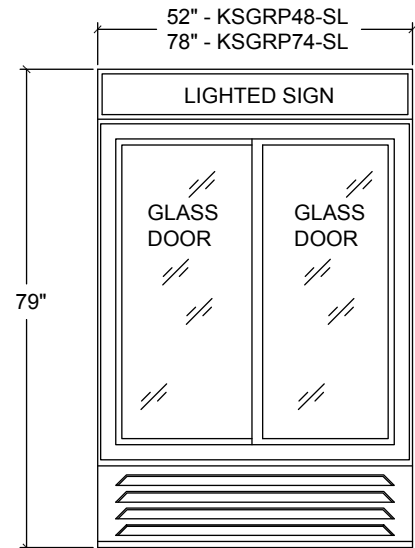
MODEL	DIMENSIONS (in.)			DIMENSIONS (mm)			VOLTS	AMPS	UNIT H.P.	NO. OF DOORS	NO. OF SHELVES	SHELF SIZE (in.)	CAP. CU. FT.	SHIP WT. (LB/KG)
	L	D	H	L	D	H								
KSGRP48-SL	52	30	79	1321	762	2007	115	6.9	1/3	2	8	23 ¹ / ₂ L x 21 ¹ / ₂ D	45.7	530/241
KSGRP74-SL	78	30	79	1981	762	2007	115	7.7	1/2	3	12	23 ¹ / ₂ L x 21 ¹ / ₂ D (outer doors), 25 ¹ / ₂ L x 21 ¹ / ₂ D (middle door)	70.2	715/325



PLAN VIEW



SIDE VIEW



ELEVATION VIEW

LISTINGS



- Listed under NSF-7 for the storage and/or display of packaged food
- Meets 2012 Federal DOE Requirements
- Meets Canadian energy efficiency regulations

HOOKUP

All models via plug in, 10 foot long, flexible three wire 14/3 cord with molded plug.



BID SPECIFICATIONS

Item no. KSGRP _____-SL. Provide _____ Bottom Mounted Slide Glass Door Refrigerator Merchandiser(s) With Lighted Sign, Kool Star model no. KSGRP _____-SL.

Merchandiser will be constructed of 24 gauge painted textured galvanized steel interior and exterior. Standard equipment will include interior LED lighting, top backlit graphic panel and four epoxy-coated shelves

per door adjustable on 1/2" pilasters.

Doors will be auto-close, double pane, heated safety glass doors with heated frames.

Refrigeration system will be self-contained and designed for optimum energy efficiency and low noise. Also standard will be an energy-free condensate removal system.

The refrigerant will be R-134a and the temperature range will be 34° to 41°F (1° to 5°C)

Merchandiser to have standard limited three year parts and labor warranty with additional two year coverage on compressor part.

Merchandiser to be UL and C-UL listed, UL EPH classified, and ENERGY STAR qualified. Merchandiser will also meet Canadian energy efficiency regulations.

NOTE: Cabinet designed for optimum performance in air-conditioned area at 75°F ambient and 55% relative humidity. All specifications subject to change without notice.