

ITEM NO. _____
 PROJECT _____
 LOCATION _____
 DATE _____ QTY. _____



KSMSF-A SERIES

Flat Lid Display Freezers



KSMSF-52-A

Standard features include baskets, basket dividers, external thermometer and lock.

MODELS

- KSMSF-31A
- KSMSF-43A
- KSMSF-52A
- KSMSF-71A

FEATURES

CONSTRUCTION

- Standard interior LED lighting with separate on/off switch
- Tempered glass sliding lids
- White zinc-coated baked-on enamel steel exterior
- Painted white powder-coated steel interior
- Flat top three-compartment baskets
- Removable rubber bumper guards on grille side

- Heavy-duty casters, two locking
- Bottom drain with plug
- Lid lock and keys
- The unobtrusive frame around the glass lids ensures a highly visible display
- External analog thermometer display
- Control panel with adjustable temperature range of +10 to -18°F
- Low energy consumption

REFRIGERATION

- Refrigerant:
 - All models except KSMSF-71A R-134a
 - KSMSF-71A..... R-404A
- Temperature range: -18° to 10°F (-27° to -12°C)

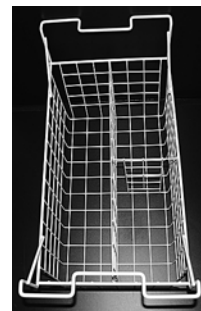
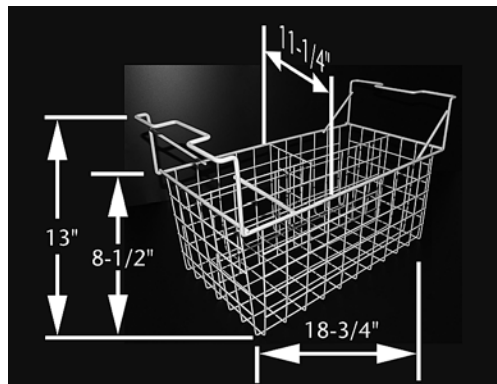
WARRANTY

- Standard limited one year parts and labor
- Additional four year coverage on compressor part

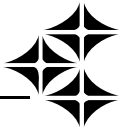
STANDARD BASKETS

KSMSF-A merchandisers are supplied with equally-sized baskets and two fixed dividers per basket.

MODEL	NO. OF BASKETS
KSMSF-31A	2
KSMSF-43A	3
KSMSF-52A	4
KSMSF-71A	5



One vertical and one horizontal fixed divider in each basket.

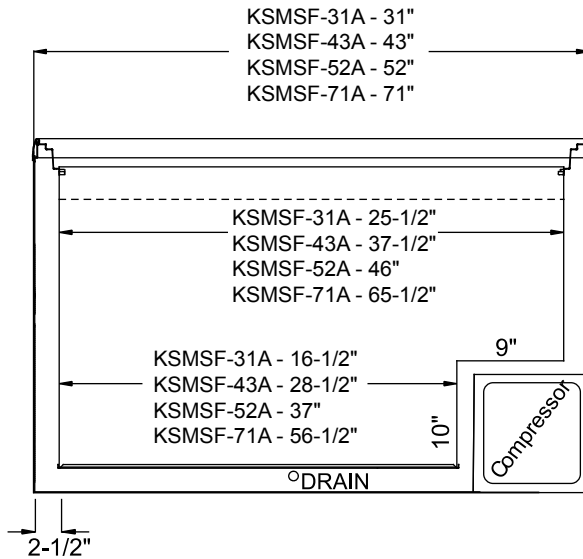


Kool Star®

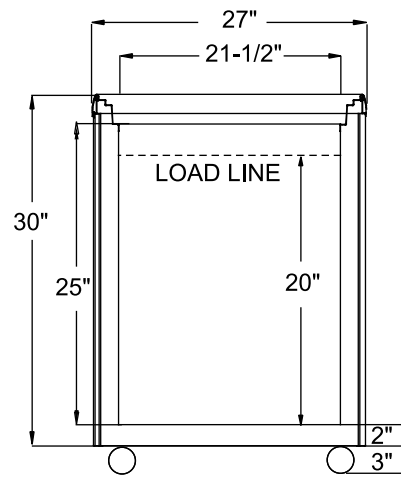
KSMSF-A SERIES FLAT LID DISPLAY FREEZERS

TECHNICAL SPECIFICATIONS

MODEL	DIMENSIONS (in.)			DIMENSIONS (mm)			VOLTS	AMPS	UNIT H.P.	GROSS CU. FT.	NET CU. FT.	SHIP CU. FT.	SHIP WT. LB/KG
	L	D	H	L	D	H							
KSMSF-31A	31	27	33	787	686	851	115	2.0	1/3	7.5	6.0	20.7	159/72
KSMSF-43A	43	27	33	1092	686	851	115	3.5	1/3	11.5	9.0	27.8	192/87
KSMSF-52A	52	27	33	1321	686	851	115	3.5	1/3	14.0	11.5	33.1	224/102
KSMSF-71A	71	27	33	1803	686	851	115	6.0	2/3	20.0	16.5	44.3	280/127



ELEVATION VIEW



SIDE VIEW

LISTINGS



HOOKUP

Via plug in, 6¹/₂ ft. long, flexible 3 wire 14AWG/3 cord with molded plug.



BID SPECIFICATIONS

Item no. KSMSF-_____A
Provide _____ () Standard Display Freezer(s) Kool Star model KSMSF-_____A.

Freezer to be constructed of a white zinc-coated baked-on enamel on steel exterior with painted white powder-coated steel interior. Freezer to be furnished with stan-

dard LED interior lighting. Also standard with baskets, integrated basket dividers, external thermometer and lock. Additionally, it will be provided with heavy-duty casters and a defrost water drain. Lids will contain tempered safety glass.

Refrigeration system will use R-134a refrigerant in all models except KSMSF-71A

which will contain R404A. The temperature range will be -18° to 10°F (-27° to -12°C).

Freezer to have standard limited one year parts and labor with additional four year coverage on compressor part.

Freezer to be ETL listed in the U.S. and Canada and ETL Sanitation listed.

NOTE: Cabinet designed for optimum performance in air-conditioned area at 75°F ambient and 55% relative humidity. All specifications subject to change without notice.