

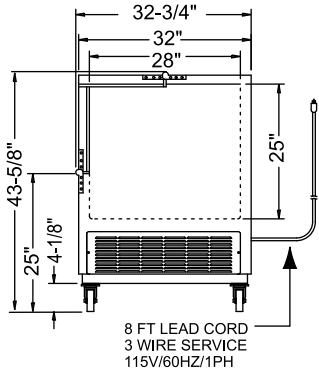
Kool Star®

KSOMC-A SERIES OPEN FRONT MILK COOLERS

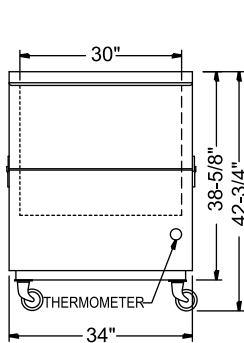
TECHNICAL SPECIFICATIONS

MODEL	DIMENSIONS (in.)			DIMENSIONS (mm)			VOLTS	AMPS	UNIT H.P.	NO. OF FLOOR RACKS	CAP. CU. FT.	SHIP WT. LB/KG
	L*	D	H*	L*	D	H*						
KSOMC-082-A	34 ⁵ / ₈	32 ³ / ₄	42 ³ / ₄	879	832	1086	115	3.3	1/5	2	12.2	326/148
KSOMC-122-A	48 ⁵ / ₈	32 ³ / ₄	42 ³ / ₄	1235	832	1086	115	3.1	1/5	3	17.8	352/160
KSOMC-162-A	62 ⁵ / ₈	32 ³ / ₄	42 ³ / ₄	1591	832	1086	115	3.3	1/5	4	23.5	484/220

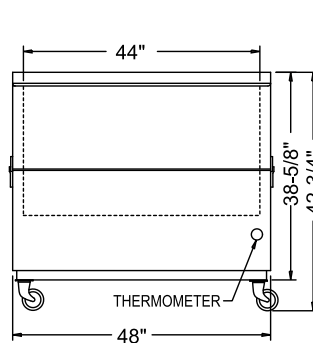
*Length includes door hinges. Height includes casters.



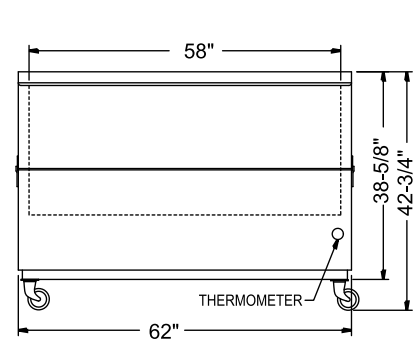
SIDE VIEW – ALL



KSOMC-082-A
ELEVATION VIEW



KSOMC-122-A
ELEVATION VIEW



KSOMC-162-A
ELEVATION VIEW

LISTINGS



HOOKUP

Via plug in, 8 foot long flexible three wire 16 gauge cord with molded plug.



BID SPECIFICATIONS

Item no. KSOMC- _____-A
Provide _____ () Open Front Milk Cooler(s), Kool Star model no. KSOMC- _____-A.

Milk cooler to be constructed of white painted steel on the exterior with galvanized steel interior. Door to be stainless steel on the exterior with galvanized steel interior. Door will also be a fold-back type and will be locking and insulated. In ad-

dition, door will be equipped with gaskets and chrome plated hinges.

Cooler to be provided with four swivel casters (two locking), floor drain and thermometer. Additionally, cooler will contain heavy-duty epoxy-coated floor racks. Insulation will consist of 2" thick foamed-in-place polyurethane.

The refrigeration system will be self-contained, bottom mounted with a cold

wall evaporator. System will contain R-134a refrigerant. The operating temperature will be 38°F (3°C).

Cooler to have standard limited three year parts and labor warranty with an additional two year coverage on compressor part.

Cooler to be ENERGY STAR qualified, UL and C-UL listed as well as UL EPH classified.

NOTE: Cabinet designed for optimum performance in air-conditioned area at 75°F ambient and 55% relative humidity. All specifications subject to change without notice.