



# STANDARD SERIES PLUMBING SINGLE PANTRY FAUCETS

MODEL: \_\_\_\_\_ PROJECT: \_\_\_\_\_ ITEM #: \_\_\_\_\_ QTY: \_\_\_\_\_

## PRODUCT IMAGE



16-108L SHOWN

**16-1XXL SERIES ONLY AVAILABLE IN  
LOW LEAD COMPLIANT MODELS**

## STANDARD FEATURES

- Heavy-Duty spout with double O-Ring construction and welded shoulder for durability
- High precision machining and polished nickel chromium finish
- Color-coded handle
- Full replacement parts available
- Mounting kit included
- **Low Lead Compliance**  
All models meet California AB-1953 and Vermont S152 standards

## SPECIFICATIONS

- Single hole deck mount with 1/2" NPT male inlet with 1/4" NPT fitting
- Rough in: 7/8" round hole
- Flow rate: 2 GPM max
- Shipping weight: 5 lbs.
- Quantity per case: 12



### CERTIFICATIONS:

### APPROVED BY:

Due to our commitment to continued product improvement, specifications are subject to change without notice.

Printed in the USA

**Krowne Metal Corporation**

100 Haul Rd. Wayne, NJ 07470 • Toll Free: (800) 631-0442 • Fax: (973) 872-1129  
sales@krowne.com • www.krowne.com • www.facebook.com/KrowneMetal • www.twitter.com/KrowneMetal

Rev. 05/2012  
No. 16-1XXL



# STANDARD SERIES PLUMBING SINGLE PANTRY FAUCETS

MODEL: \_\_\_\_\_ PROJECT: \_\_\_\_\_ ITEM #: \_\_\_\_\_ QTY: \_\_\_\_\_

## MODELS

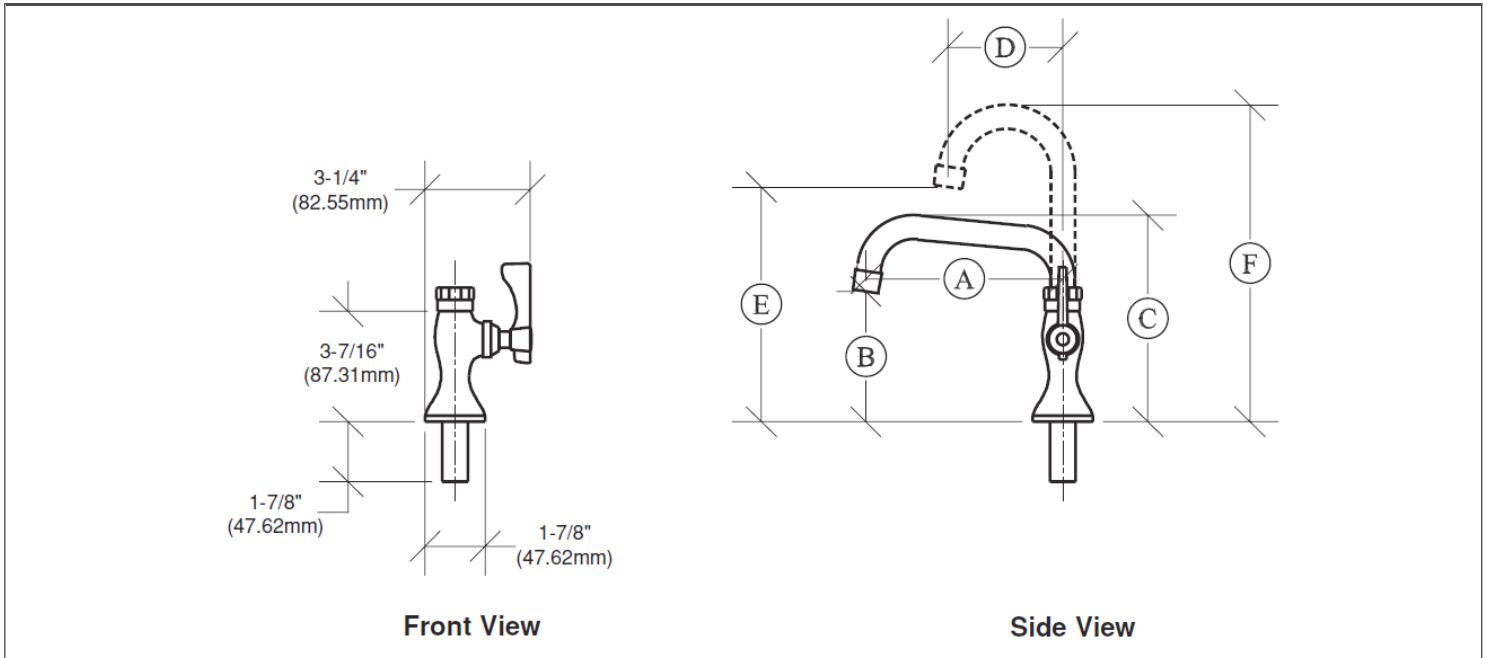
### STANDARD SPOUTS

Model Numbers	Ⓐ	Ⓑ	Ⓒ
16-108L	6"	4 1/2"	7"
16-109L	12"	5 1/4"	7 3/4"

### GOOSENECK SPOUTS

Model Numbers	Ⓓ	Ⓔ	Ⓕ
16-115L	3 1/2"	7 7/8"	10 1/2"
16-116L	6"	7 7/8"	11 7/8"

## DRAWING



Certified to NSF/ANSI 61-G

### APPROVED BY:

Due to our commitment to continued product improvement, specifications are subject to change without notice.

### CERTIFICATIONS:

Printed in the USA

### Krowne Metal Corporation

100 Haul Rd. Wayne, NJ 07470 • Toll Free: (800) 631-0442 • Fax: (973) 872-1129  
sales@krowne.com • www.krowne.com • www.facebook.com/KrowneMetal • www.twitter.com/KrowneMetal

Rev. 05/2012  
No. 16-1XXL