



ROYAL SERIES PLUMBING DECK MOUNT GLASS FILLER FAUCET

MODEL: **16-135L** PROJECT: _____ ITEM #: _____ QTY: _____

PRODUCT IMAGE



16-135L SHOWN

**16-135L ONLY AVAILABLE IN
LOW LEAD COMPLIANT MODEL**

STANDARD FEATURES

- Continuous on position latch for filling pitchers
- Push-back water activation
- **Low Lead Compliance**
Meets California AB-1953 and Vermont S152 standards

SPECIFICATIONS

- 8" high from deck to spout tip
- Single hole deck mount with 1/2" NPT male inlets
- Rough in: 7/8" round hole
- Shipping weight: 3 lbs.
- Quantity per case: 12



APPROVED BY:

CERTIFICATIONS:

Due to our commitment to continued product improvement, specifications are subject to change without notice.

Printed in the USA

Krowne Metal Corporation

100 Haul Rd. Wayne, NJ 07470 • Toll Free: (800) 631-0442 • Fax: (973) 872-1129
sales@krowne.com • www.krowne.com • www.facebook.com/KrowneMetal • www.twitter.com/KrowneMetal

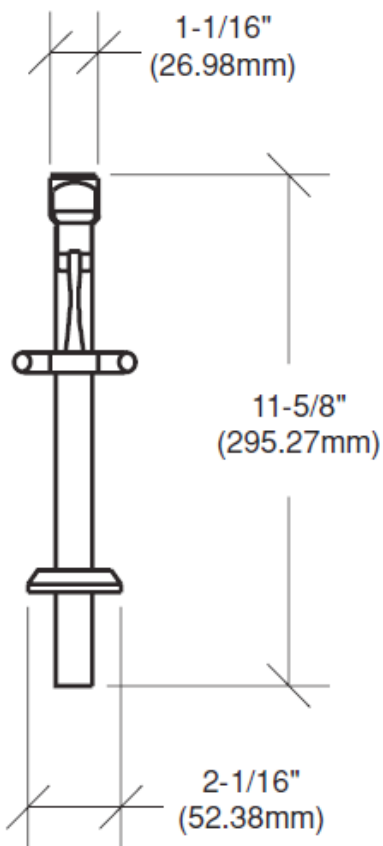
Rev. 09/2011
No. 16-135L



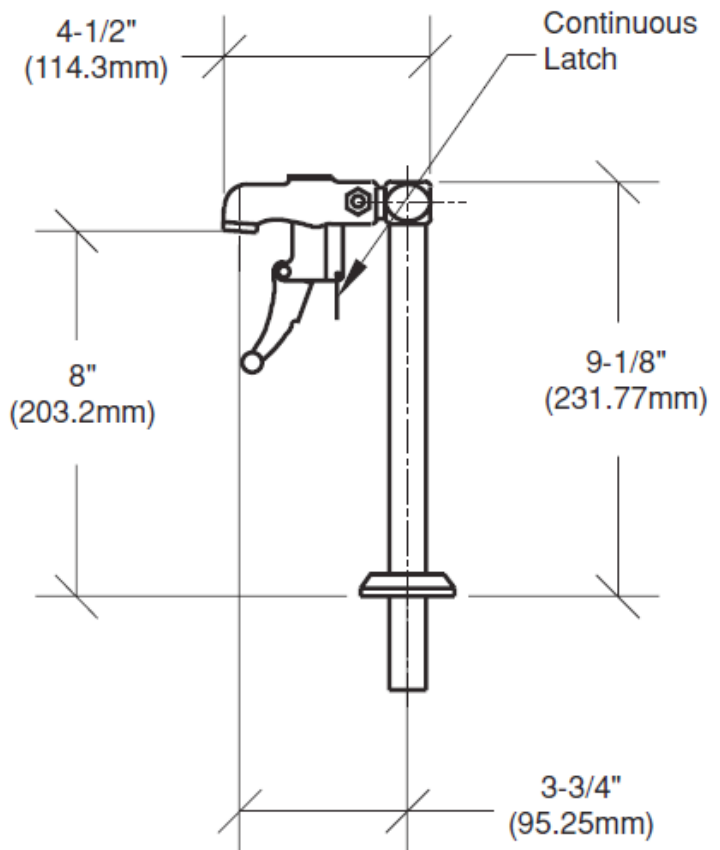
ROYAL SERIES PLUMBING DECK MOUNT GLASS FILLER FAUCET

MODEL: **16-135L** PROJECT: _____ ITEM #: _____ QTY: _____

DRAWING



Front View



Side View



APPROVED BY:

CERTIFICATIONS:

Due to our commitment to continued product improvement, specifications are subject to change without notice.