



ROYAL SERIES PLUMBING DECK MOUNT PANTRY FAUCETS

MODEL: _____ PROJECT: _____ ITEM #: _____ QTY: _____

PRODUCT IMAGE



16-306L SHOWN

**16-3XXL SERIES ONLY AVAILABLE IN
LOW LEAD COMPLIANT MODELS**

STANDARD FEATURES

- 1/4 turn high performance ceramic cartridge valve with built-in back flow preventers
- Heavy-Duty solid brass spout with double O-Ring construction and welded shoulder for durability
- High precision machining and polished nickel chromium finish
- Full replacement parts available
- Mounting kit included
- 1 Year Warranty
- **Low Lead Compliance**
All models meet California AB-1953 and Vermont S152 standards

SPECIFICATIONS

- Single hole deck mount with 1/2" NPT male inlet with 1/4" NPT fitting
- 1 1/8" OD x 2 1/4" shank
- Rough in: Single 1 1/8" round hole
- Temperature Range: 40°F to 180°F
- Flow rate: 2 GPM max
- Shipping weight: 6 lbs.



APPROVED BY:

CERTIFICATIONS:

Due to our commitment to continued product improvement, specifications are subject to change without notice.

Printed in the USA

Krowne Metal Corporation

100 Haul Rd. Wayne, NJ 07470 • Toll Free: (800) 631-0442 • Fax: (973) 872-1129
sales@krowne.com • www.krowne.com • www.facebook.com/KrowneMetal • www.twitter.com/KrowneMetal

Rev. 05/2012
No. 16-3XXL



ROYAL SERIES PLUMBING DECK MOUNT PANTRY FAUCETS

MODEL: _____ PROJECT: _____ ITEM #: _____ QTY: _____

MODELS

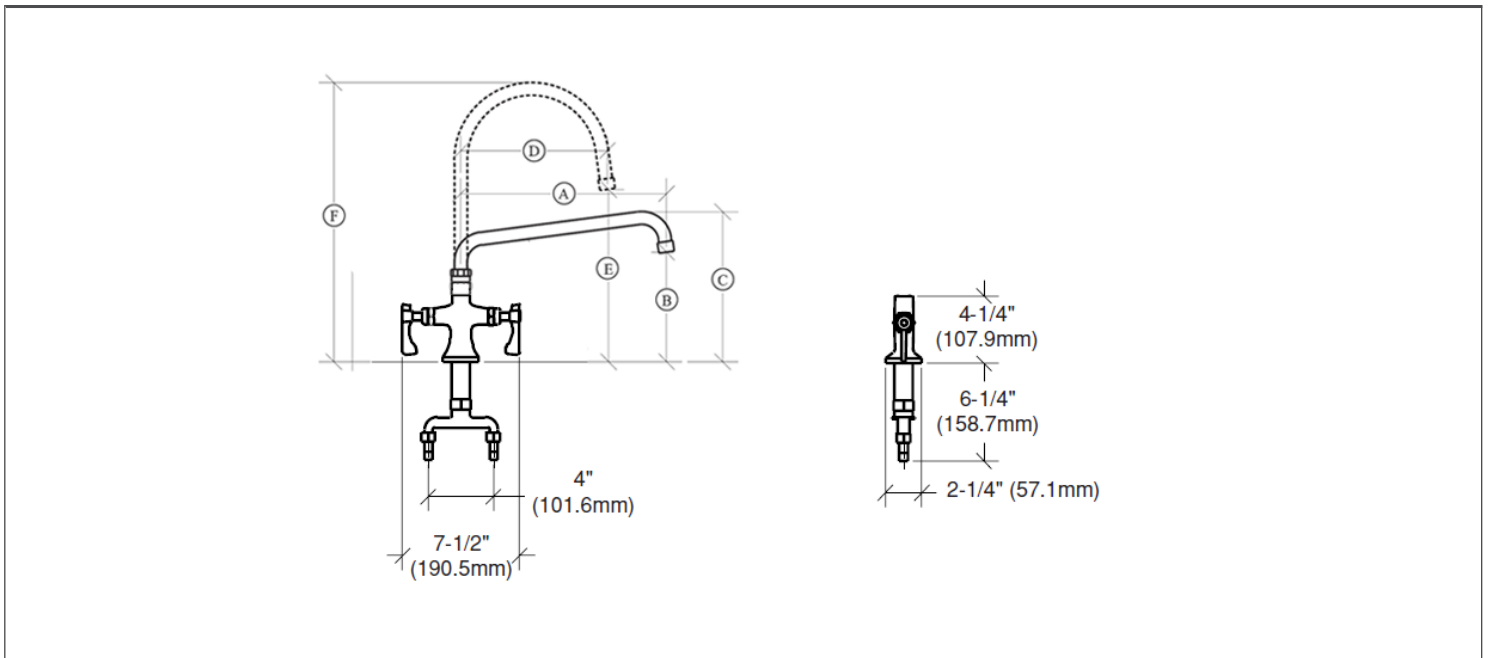
STANDARD SPOUTS

Model Numbers	Ⓐ	Ⓑ	Ⓒ
16-306L	6"	6 1/4"	8 1/2"
16-312L	12"	6 1/2"	8 3/4"

GOOSENECK SPOUTS

Model Numbers	Ⓓ	Ⓔ	Ⓕ
16-301L	6"	9 3/4"	13 1/4"
16-302L	8 1/2"	12 3/4"	16 1/4"

DRAWING



APPROVED BY:

CERTIFICATIONS:

Due to our commitment to continued product improvement, specifications are subject to change without notice.

Printed in the USA

Krowne Metal Corporation

100 Haul Rd. Wayne, NJ 07470 • Toll Free: (800) 631-0442 • Fax: (973) 872-1129

sales@krowne.com • www.krowne.com • www.facebook.com/KrowneMetal • www.twitter.com/KrowneMetal

Rev. 05/2012
No. 16-3XXL