



ROYAL SERIES PLUMBING

3/4" FULL FLOW WALL MOUNT FAUCET

MODEL: **18-812** PROJECT: _____ ITEM #: _____ QTY: _____

PRODUCT IMAGE



18-812 SHOWN

**ALSO AVAILABLE IN LOW LEAD BY
ADDING "L" TO MODEL NUMBER**

STANDARD FEATURES

- 1/4 turn high performance ceramic cartridge valve with built-in back flow preventers
- Heavy-duty flanges with eccentric fittings for quick installation
- Heavy-Duty spout with double O-Ring construction and welded shoulder for durability
- High precision machining and polished nickel chromium finish
- Color-coded cross handles
- Mounting kit included (3/4" NPT female inlets)
- Full replacement parts available
- 1 Year Warranty
- **Low Lead Compliance**
"L" Models meet California AB-1953 and Vermont S152 standards

SPECIFICATIONS

- 8" center wall mount with 3/4" NPT female inlets
- Rough in: Two 1 1/4" round holes on 8" centers
- Temperature Range: 40°F to 180°F
- Flow rate: 40 GPM max @ 60 PSI
- Shipping weight: 6 1/2 lbs.



CERTIFICATIONS:

APPROVED BY:

Due to our commitment to continued product improvement, specifications are subject to change without notice.

Printed in the USA

Krowne Metal Corporation

100 Haul Rd. Wayne, NJ 07470 • Toll Free: (800) 631-0442 • Fax: (973) 872-1129
sales@krowne.com • www.krowne.com • www.facebook.com/KrowneMetal • www.twitter.com/KrowneMetal

Rev. 09/2011
No. 18-812



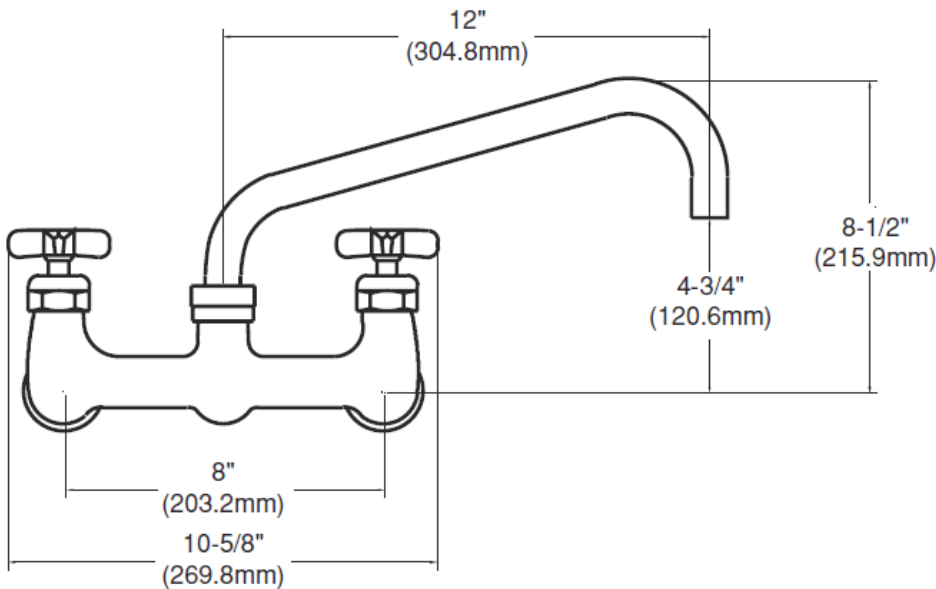
ROYAL SERIES PLUMBING

3/4" FULL FLOW WALL MOUNT FAUCET

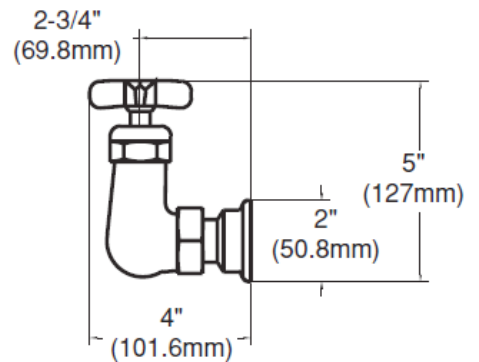
MODEL: **18-812**

PROJECT: _____ ITEM #: _____ QTY: _____

DRAWING



Front View



Side View



APPROVED BY:

Due to our commitment to continued product improvement, specifications are subject to change without notice.

CERTIFICATIONS:

Printed in the USA

Krowne Metal Corporation

100 Haul Rd. Wayne, NJ 07470 • Toll Free: (800) 631-0442 • Fax: (973) 872-1129

sales@krowne.com • www.krowne.com • www.facebook.com/KrowneMetal • www.twitter.com/KrowneMetal

Rev. 09/2011
No. 18-812