

# STANDARD SERIES UNDERBAR GLASS STORAGE BINS

MODEL: \_\_\_\_\_ PROJECT: \_\_\_\_\_ ITEM #: \_\_\_\_\_ QTY: \_\_\_\_\_

## PRODUCT IMAGES



18-GSB1 SHOWN



18-GSB3 SHOWN

**AVAILABLE IN 1800 or 2100 SERIES**

## STANDARD FEATURES

- **Drainboard**  
20 gauge embossed stainless steel reinforced with welded braces every 6 inches.  $\frac{3}{4}$ " radius on all vertical and horizontal edges
- **Front Apron**  
20 gauge stainless steel clad over 20 gauge galvanized steel
- **Backsplash**  
22 gauge stainless steel
- **Sides**  
20 gauge stainless steel
- **Middle Shelf**  
20 gauge stainless steel
- **Back**  
20 gauge galvanized steel
- **Bottom**  
20 gauge stainless steel
- **Legs**  
1  $\frac{5}{8}$ " tubular 16 gauge galvanized steel with grey plastic bullet foot
- **Plumbing**  
1" IPS drain connection

## OPTIONAL ACCESSORIES

- **C-36** Upgrade: Stainless Steel Legs
- **C-39** Right End Side Splash
- **C-40** Left End Side Splash



**CERTIFICATIONS:**

**APPROVED BY:**

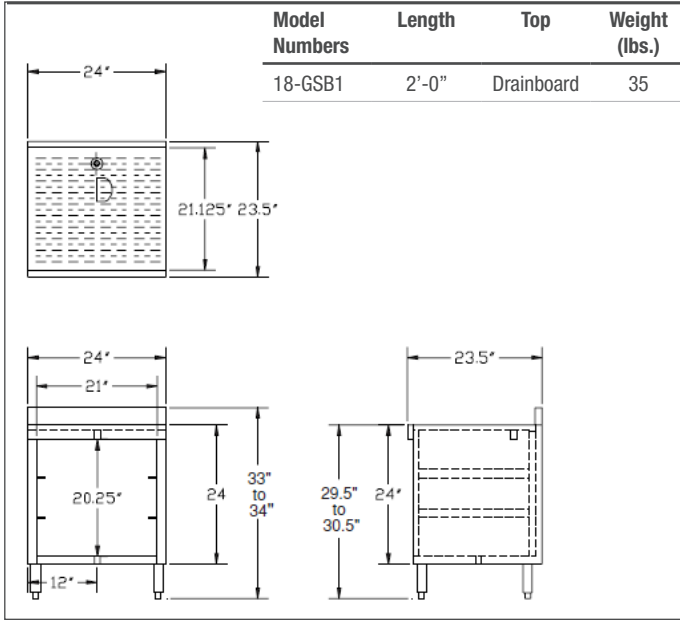
Due to our commitment to continued product improvement, specifications are subject to change without notice.



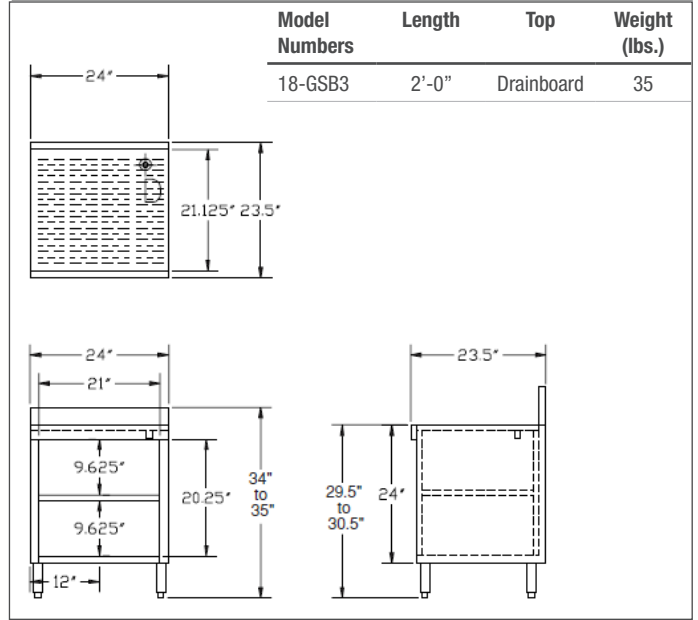
# STANDARD SERIES UNDERBAR GLASS STORAGE BINS

MODEL: \_\_\_\_\_ PROJECT: \_\_\_\_\_ ITEM #: \_\_\_\_\_ QTY: \_\_\_\_\_

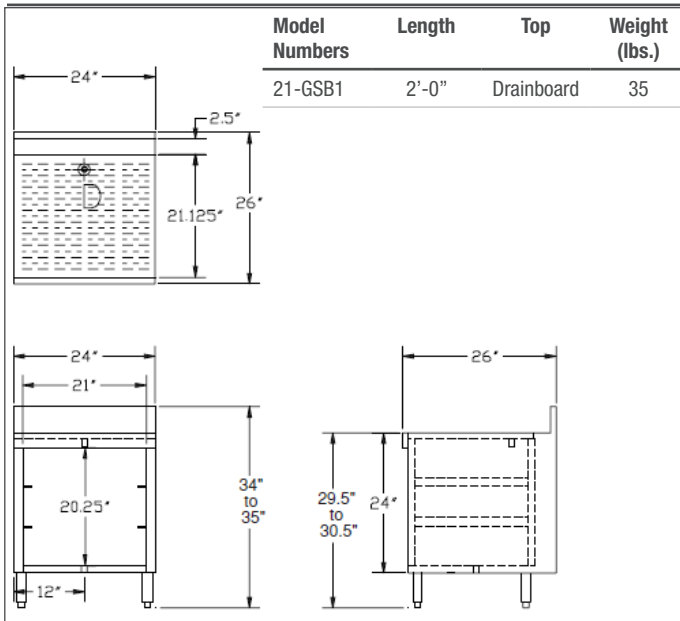
## 1800 SERIES: RACK SLIDES



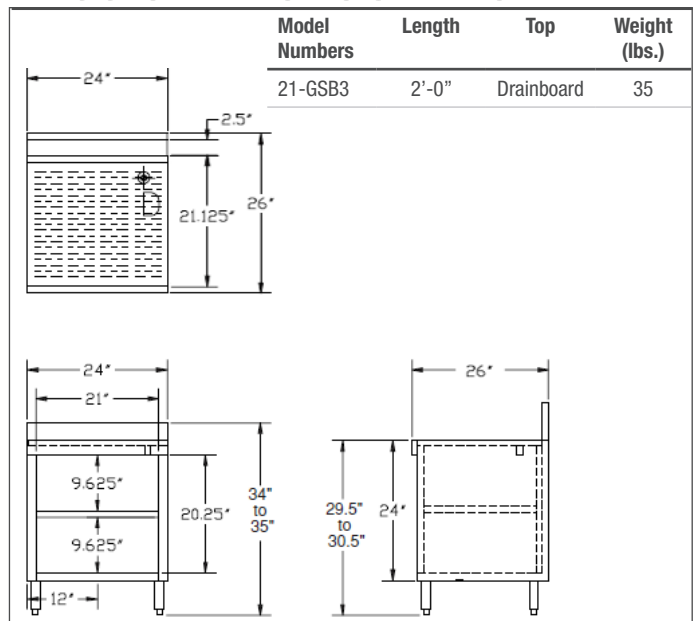
## 1800 SERIES: SOLID SHELF



## 2100 SERIES: RACK SLIDES



## 2100 SERIES: SOLID SHELF



**APPROVED BY:** \_\_\_\_\_

**CERTIFICATIONS:** \_\_\_\_\_

Due to our commitment to continued product improvement, specifications are subject to change without notice.