



# STANDARD SERIES UNDERBAR

## FRONT AND REAR CORNER FILLERS

MODEL: \_\_\_\_\_ PROJECT: \_\_\_\_\_ ITEM #: \_\_\_\_\_ QTY: \_\_\_\_\_

### PRODUCT IMAGES



18-F45 SHOWN

18-R45 SHOWN

**AVAILABLE IN 1800 or 2100 SERIES**

### STANDARD FEATURES

- **Front Apron**  
20 gauge stainless steel
- **Backsplash**  
20 gauge stainless steel
- **Sides**  
20 gauge stainless steel
- **Back and Bottom**  
20 gauge galvanized steel
- **Plumbing**  
No drain connection

### OPTIONAL ACCESSORIES

- **C-39** Right End Side Splash
- **C-40** Left End Side Splash



#### APPROVED BY:

#### CERTIFICATIONS:

Due to our commitment to continued product improvement, specifications are subject to change without notice.

Printed in the USA

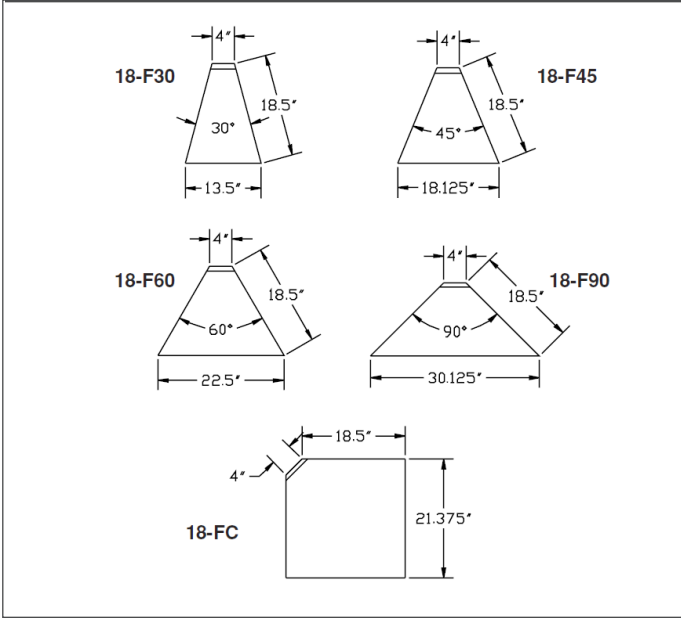
**Krowne Metal Corporation**

100 Haul Rd. Wayne, NJ 07470 • Toll Free: (800) 631-0442 • Fax: (973) 872-1129  
sales@krowne.com • www.krowne.com • www.facebook.com/KrowneMetal • www.twitter.com/KrowneMetal

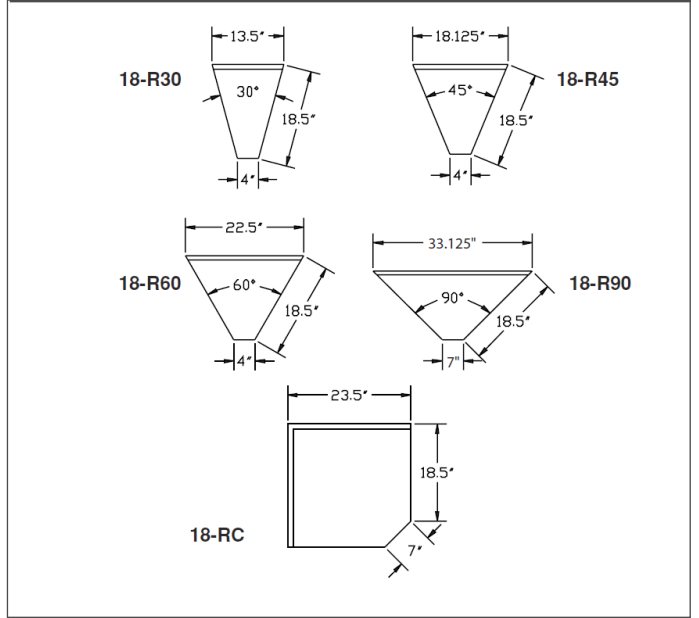
Rev. 09/2011  
No. 4.10

MODEL: \_\_\_\_\_ PROJECT: \_\_\_\_\_ ITEM #: \_\_\_\_\_ QTY: \_\_\_\_\_

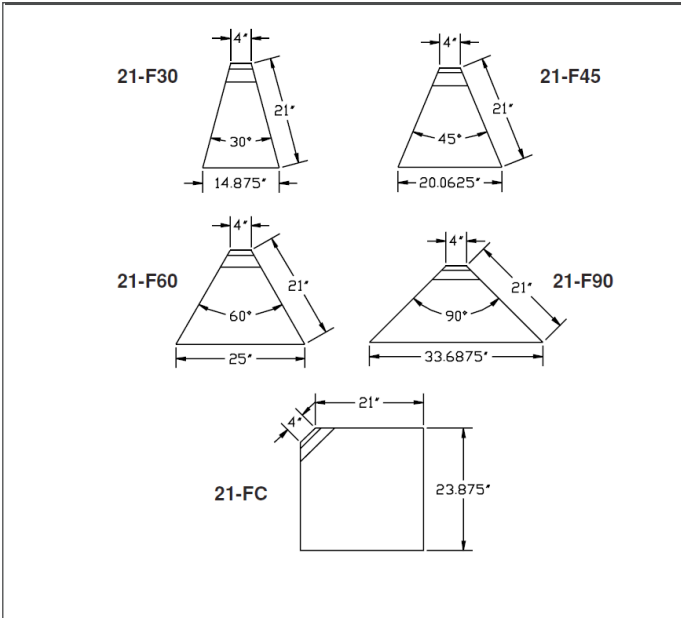
### 1800 SERIES: FRONT CORNERS



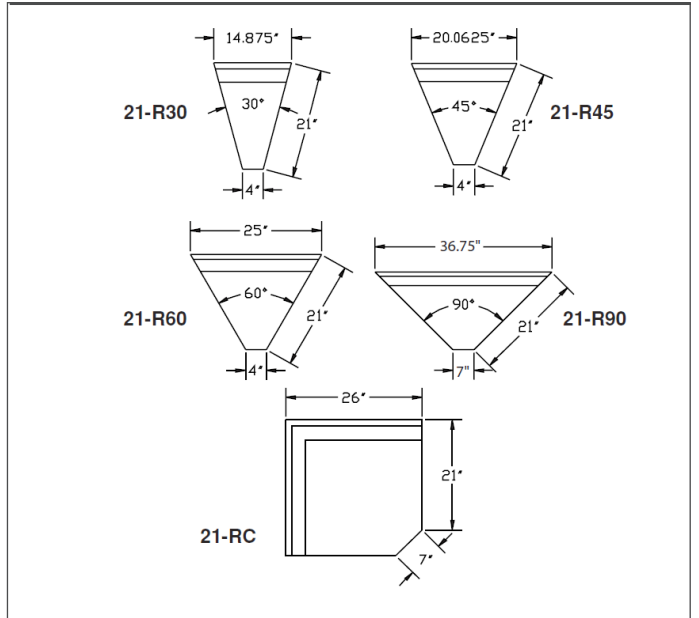
### 1800 SERIES: REAR CORNERS



### 2100 SERIES: FRONT CORNERS



### 2100 SERIES: REAR CORNERS



**APPROVED BY:** \_\_\_\_\_

**CERTIFICATIONS:** \_\_\_\_\_

Due to our commitment to continued product improvement, specifications are subject to change without notice.