



# ROYAL SERIES PLUMBING

## ENCLOSED GRAY POWDER COATED HOSE REEL

MODEL: **24-601** PROJECT: \_\_\_\_\_ ITEM #: \_\_\_\_\_ QTY: \_\_\_\_\_

### PRODUCT IMAGE



24-601 SHOWN

**THIS PRODUCT DOES NOT REQUIRE  
LOW LEAD COMPLIANCE**

### STANDARD FEATURES

- Enclosed gray powder coated hose reel

### SPECIFICATIONS

- Full 35' hose length
- Heavy-duty hose tested to 210°F (99°C) and 250 PSI (18 BAR)
- Mounts on 3/8"-18 NPT inlets
- Shipping weight: 37 lbs.



**APPROVED BY:**

**CERTIFICATIONS:**

Due to our commitment to continued product improvement, specifications are subject to change without notice.

Printed in the USA

**Krowne Metal Corporation**

100 Haul Rd. Wayne, NJ 07470 • Toll Free: (800) 631-0442 • Fax: (973) 872-1129  
sales@krowne.com • www.krowne.com • www.facebook.com/KrowneMetal • www.twitter.com/KrowneMetal

Rev. 02/2012  
No. 24-601



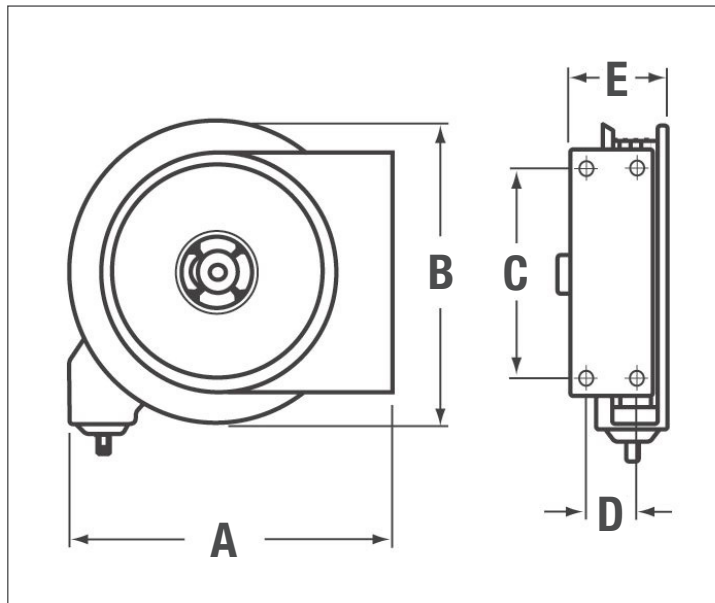
# ROYAL SERIES PLUMBING

## ENCLOSED GRAY POWDER COATED HOSE REEL

MODEL: **24-601**

PROJECT: \_\_\_\_\_ ITEM #: \_\_\_\_\_ QTY: \_\_\_\_\_

### DRAWING



<b>A</b>	14 1/2"
<b>B</b>	15"
<b>C</b>	9 3/4"
<b>D</b>	2 1/2"
<b>E</b>	7"



**APPROVED BY:**

**CERTIFICATIONS:**

Due to our commitment to continued product improvement, specifications are subject to change without notice.

Printed in the USA

**Krowne Metal Corporation**

100 Haul Rd. Wayne, NJ 07470 • Toll Free: (800) 631-0442 • Fax: (973) 872-1129

sales@krowne.com • www.krowne.com • www.facebook.com/KrowneMetal • www.twitter.com/KrowneMetal

Rev. 02/2012  
No. 24-601