

LARGE TRIANGLE HEAVY-DUTY PLATE CASTERS

MODEL: _____ PROJECT: _____ ITEM #: _____ QTY: _____

PRODUCT IMAGE

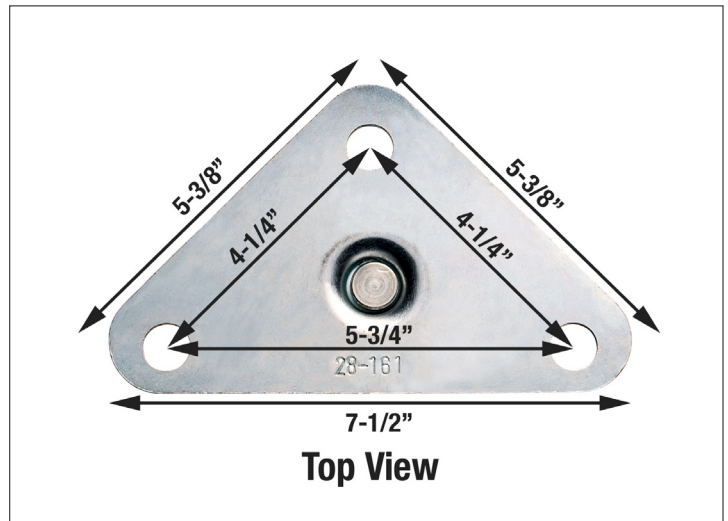


28-161S SHOWN

STANDARD FEATURES

- 5 3/8" x 5 3/8" x 7 1/2" triangle plate
- Grease resistant wheels with brakes
- Heavy-duty 500 lb. load capacity per caster
- Set of 4 per box
- Quantity per case: 4

HOLE CENTERS



SPECIFICATIONS

Model Number	Hole Centers	Weight/Set of 4 (lbs.)	Load Capacity per Caster (lbs.)	Temp Range	Wheel Size
28-161S	4 1/4" Short Sides 1 3/4" Long Side	16	500	14°F to 212°F	5" with Brake

APPROVED BY:

CERTIFICATIONS:

Due to our commitment to continued product improvement, specifications are subject to change without notice.