



ROYAL SERIES UNDERBAR MODULAR BAR DIE SYSTEM

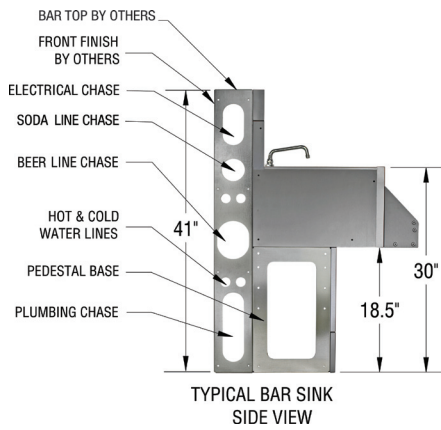
MODEL: _____ PROJECT: _____ ITEM #: _____ QTY: _____

PRODUCT IMAGES



STANDARD FEATURES

- Bar die structure fabricated out of 16 gauge galvanized steel with stainless steel bartender finish
- No legs required. Units attached to bar die structure for quick and easy cleaning
- Chaseways built into structure to conceal all soda, beer, electrical and plumbing lines. Makes for a cleaner, more appealing bar
- Built-in electrical outlets installed per customer's request (quantity and location to be verified)
- Fluorescent lights available upon request
- Units pre-assembled at factory and shipped in sections up to 8'-0" in length for easy installation (cuts installation costs)
- Bar die structure can easily be installed and sealed to floor to prevent seepage from bartender side to customer side
- Bar top and front panels (by millwork) can be easily installed to structure
- Front panels (by millwork) easily removed for access to soda, beer, electrical and plumbing lines for future service or repair



APPROVED BY:

CERTIFICATIONS:

Due to our commitment to continued product improvement, specifications are subject to change without notice.

Printed in the USA

Krowne Metal Corporation

100 Haul Rd. Wayne, NJ 07470 • Toll Free: (800) 631-0442 • Fax: (973) 872-1129
sales@krowne.com • www.krowne.com • www.facebook.com/KrowneMetal • www.twitter.com/KrowneMetal

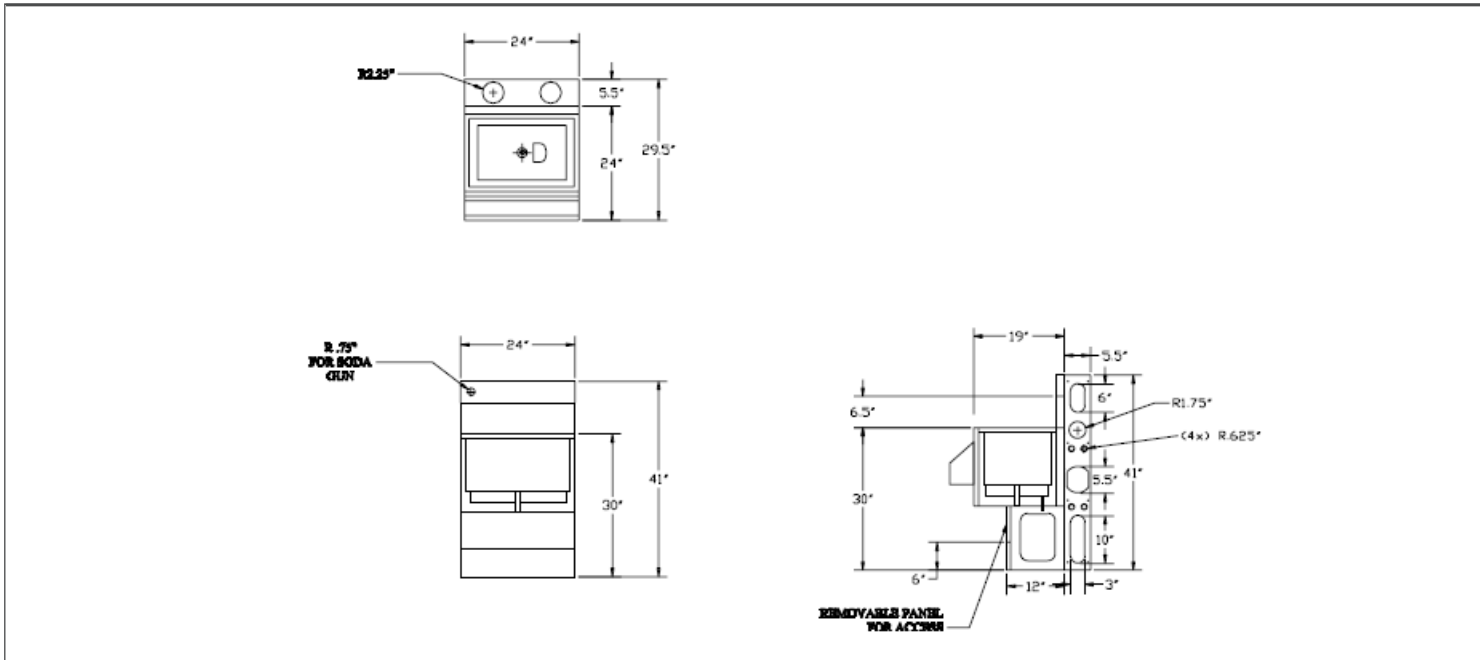
Rev. 09/2011
No. 5.1



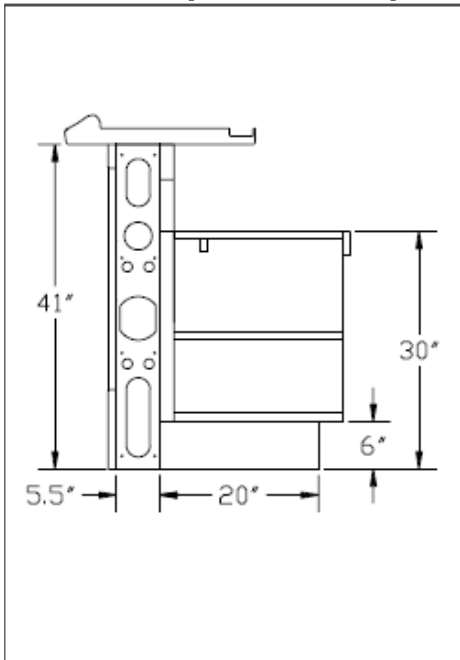
ROYAL SERIES UNDERBAR MODULAR BAR DIE SYSTEM

MODEL: _____ PROJECT: _____ ITEM #: _____ QTY: _____

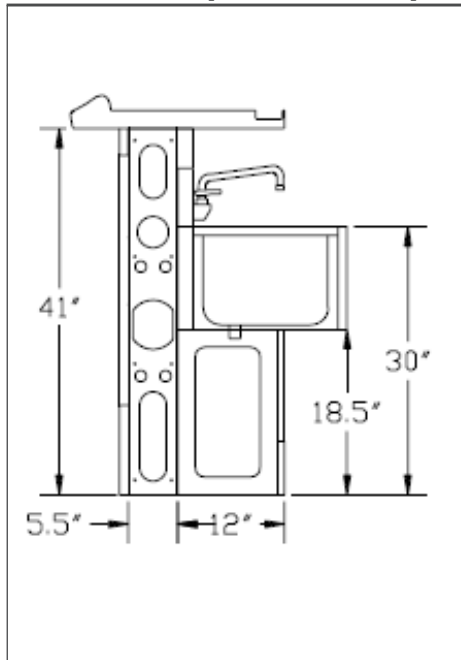
TYPICAL ICE BIN with BUILT-IN COLD PLATE



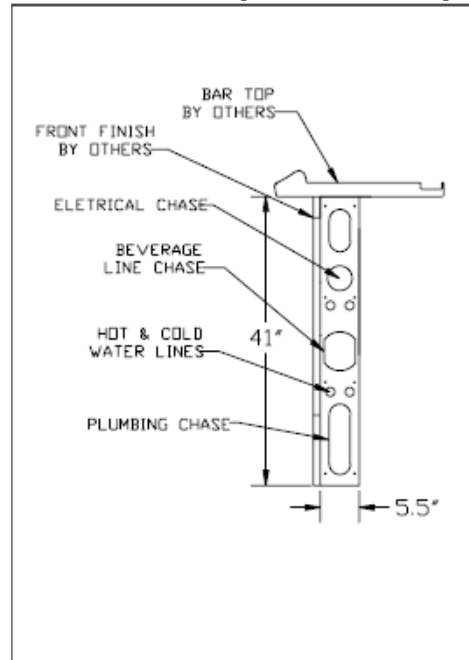
CABINET (SIDE VIEW)



BAR SINK (SIDE VIEW)



FLAT WALL (SIDE VIEW)



APPROVED BY:

Due to our commitment to continued product improvement, specifications are subject to change without notice.

CERTIFICATIONS:

Krowne Metal Corporation

Printed in the USA

100 Haul Rd. Wayne, NJ 07470 • Toll Free: (800) 631-0442 • Fax: (973) 872-1129

Rev. 09/2011

sales@krowne.com • www.krowne.com • www.facebook.com/KrowneMetal • www.twitter.com/KrowneMetal

No. 5.1