

# BACK BAR STORAGE LIQUOR AND GLASS STORAGE CABINETS

MODEL: \_\_\_\_\_ PROJECT: \_\_\_\_\_ ITEM #: \_\_\_\_\_ QTY: \_\_\_\_\_

## PRODUCT IMAGE



KR-L24 shown with optional 4" legs

**AVAILABLE IN 18" & 24" SIZES**

## PRODUCT IMAGE



KR-G24 shown with optional 4" legs

**AVAILABLE IN 18" & 24" SIZES**

## OPTIONAL ACCESSORIES

- |                 |                                       |                 |                                      |
|-----------------|---------------------------------------|-----------------|--------------------------------------|
| ■ <b>BB-100</b> | Four 6" Stainless Steel Legs          | ■ <b>BB-108</b> | Four 2" Casters with brakes          |
| ■ <b>BB-102</b> | Four 4" Stainless Steel Legs          | ■ <b>BB-118</b> | 18" Stainless Steel Front Kick Plate |
| ■ <b>BB-106</b> | Left Side Stainless Steel Kick Plate  | ■ <b>BB-124</b> | 24" Stainless Steel Front Kick Plate |
| ■ <b>BB-107</b> | Right Side Stainless Steel Kick Plate | ■ <b>BB-125</b> | Optional Stainless Steel Top         |

## APPROVED BY:

### CERTIFICATIONS:

Due to our commitment to continued product improvement, specifications are subject to change without notice.

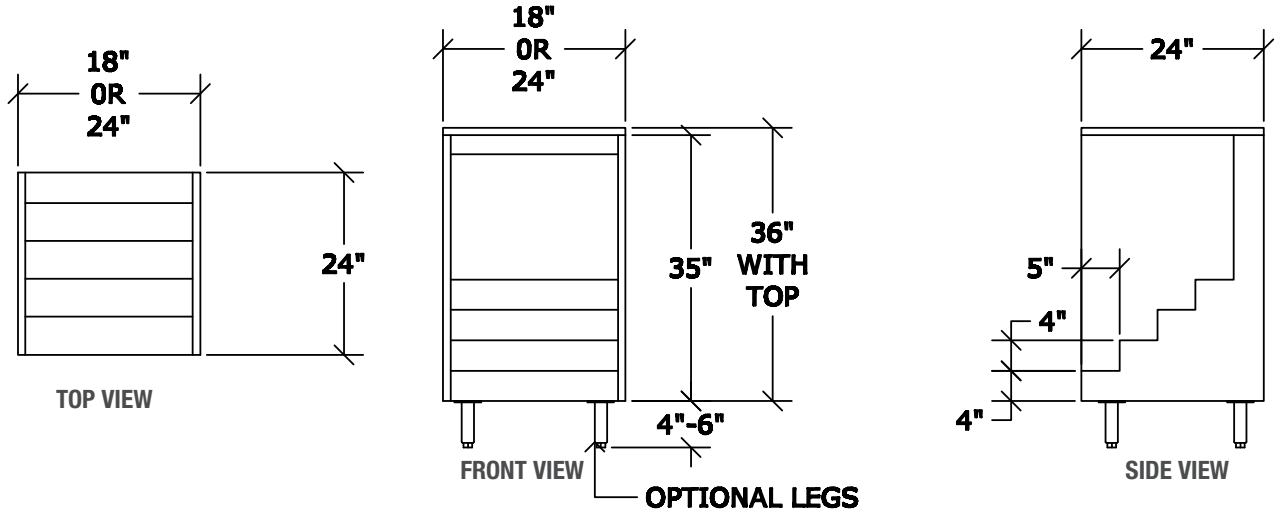


# BACK BAR STORAGE

## LIQUOR AND GLASS STORAGE CABINETS

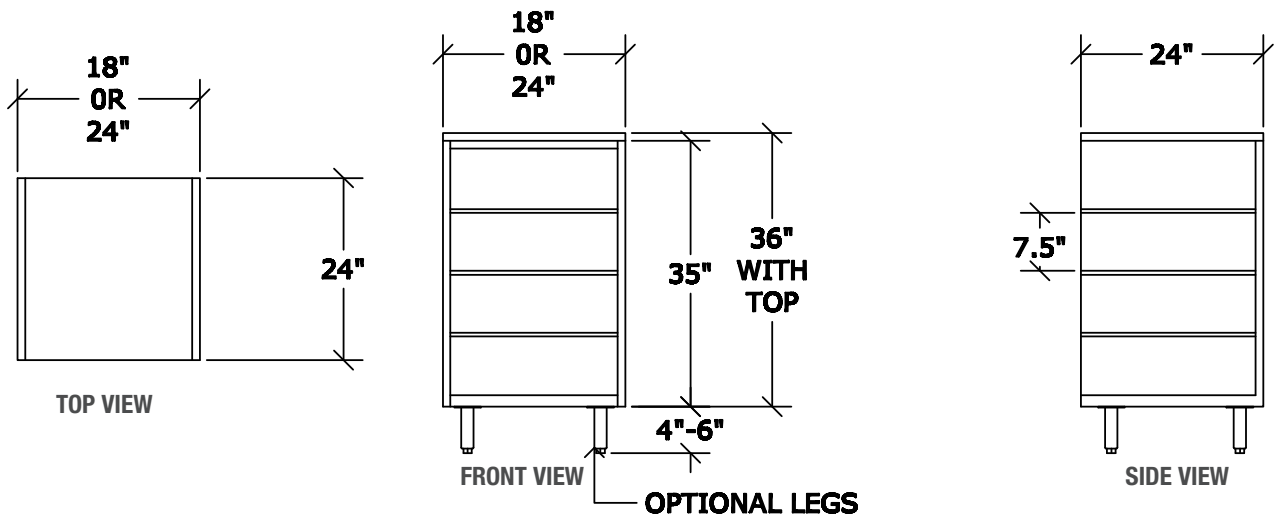
MODEL: \_\_\_\_\_ PROJECT: \_\_\_\_\_ ITEM #: \_\_\_\_\_ QTY: \_\_\_\_\_

### BACK BAR LIQUOR STORAGE



Model Numbers	Overall Length	Weight (lbs.)
KR-L18	1'-6"	105
KR-L24	2'-0"	125

### BACK BAR GLASS STORAGE



Model Numbers	Overall Length	Weight (lbs.)
KR-G18	1'-6"	110
KR-G24	2'-0"	130

**APPROVED BY:** \_\_\_\_\_

**CERTIFICATIONS:**

Due to our commitment to continued product improvement, specifications are subject to change without notice.