

SELF-CONTAINED SLIDING DOOR BACK BAR COOLER

MODEL: _____ PROJECT: _____ ITEM #: _____ QTY: _____

PRODUCT IMAGE



AVAILABLE WITH LEFT OR RIGHT SIDE COMPRESSOR

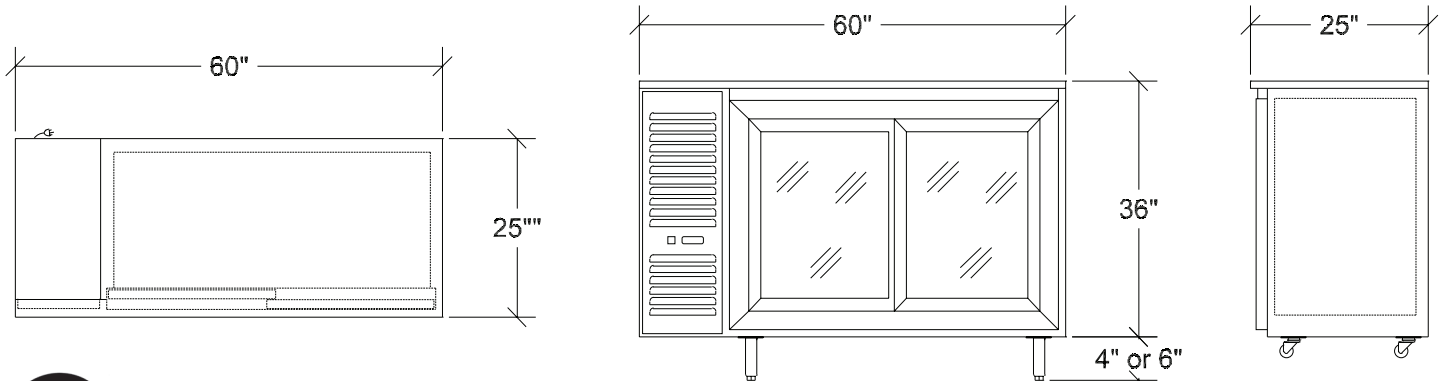
OPTIONAL ACCESSORIES

- **BS-100** Four 6" Stainless Steel Legs
- **BS-102** Four 4" Stainless Steel Legs
- **BS-106** Left Side Stainless Steel Kick Plate
- **BS-107** Right Side Stainless Steel Kick Plate
- **BS-108** Four 3" Casters with brakes
- **BS-160** 60" Stainless Steel Front Kick Plate
- **BC-130** 1" Ultra Low profile casters w/ Brakes
- **BC-132** Four 2" Low profile casters w/ Brakes
- **BC-134** Four 3" casters with Brakes

STANDARD FEATURES

- **Electrical**
115 V, 1 Phase, 60 Hz. Furnished with 8'-0" plug-in cord, which exits left rear of cooler. NEMA 5-15P Plug Configuration. Dedicated 15 Amp circuit recommended. 6.0 Full Load Amps, 1/4 HP
- **Refrigeration**
Self-contained 134A Refrigerant. 30°F-40°F operating range
Digital Thermostat on front grille
- **Case Capacity**
Long Neck Bottles: 12
12 oz. Cans: 20
Wine Bottles (each): 106
- **Interior**
20 gauge stainless steel with coved corners. Two adjustable epoxy coated wire shelves with floor rack per door.
Door Opening: 29 11/16" high x 19 15/16" wide
- **Exterior**
Sides: 20 gauge stainless steel
Front: Black vinyl with glass doors
Back: 20 gauge galvanized steel
Top: Stainless steel top
- **Insulation**
2" thick foamed-in-place polyurethane
- **Plumbing**
No drain connection required.
Condensate evaporator pan included

** This equipment is intended for the storage and display of non-potentially-hazardous bottle or canned products only **



CERTIFICATIONS:

APPROVED BY:

Note: Optional casters raise height 1" higher than wheel size
Note: Optional 4" or 6" legs available

Due to our commitment to continued product improvement, specifications are subject to change without notice.