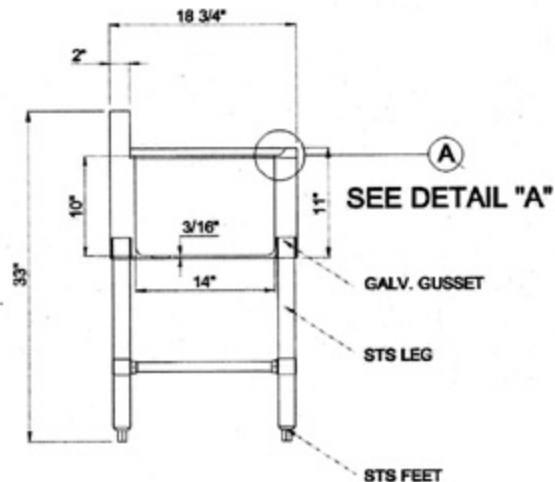


SEE DETAIL "B"

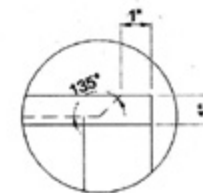
FRONT ELEVATION



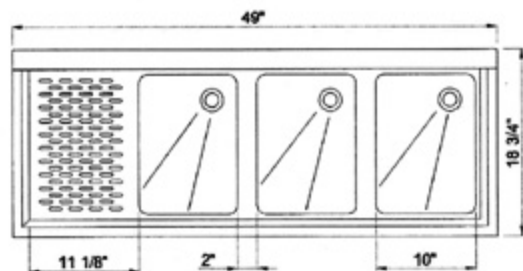
SIDE VIEW

● 18 GA. STAINLESS STEEL CONSTRUCTION.

● GALV. GUSSET AND STAINLESS LEG AND STAINLESS FEET



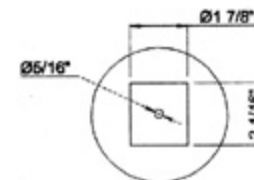
DETAIL "A"



PLAN VIEW



ISOMETRIC



DETAIL "B"

DRAWN FOR :	MAT. TOP : 18 GA. 304 S/S BASE :	DATE	REVISIONS	KLINGER'S TRADING
REF. NO :	REQ'D/ITEM :			
ITEM NAME : Bar Sink	DATE : May / 13 / 2010			
PROD. NO. :	BY :			
SCALE: 1/2" = 1'-0"	CHECKED BY :			