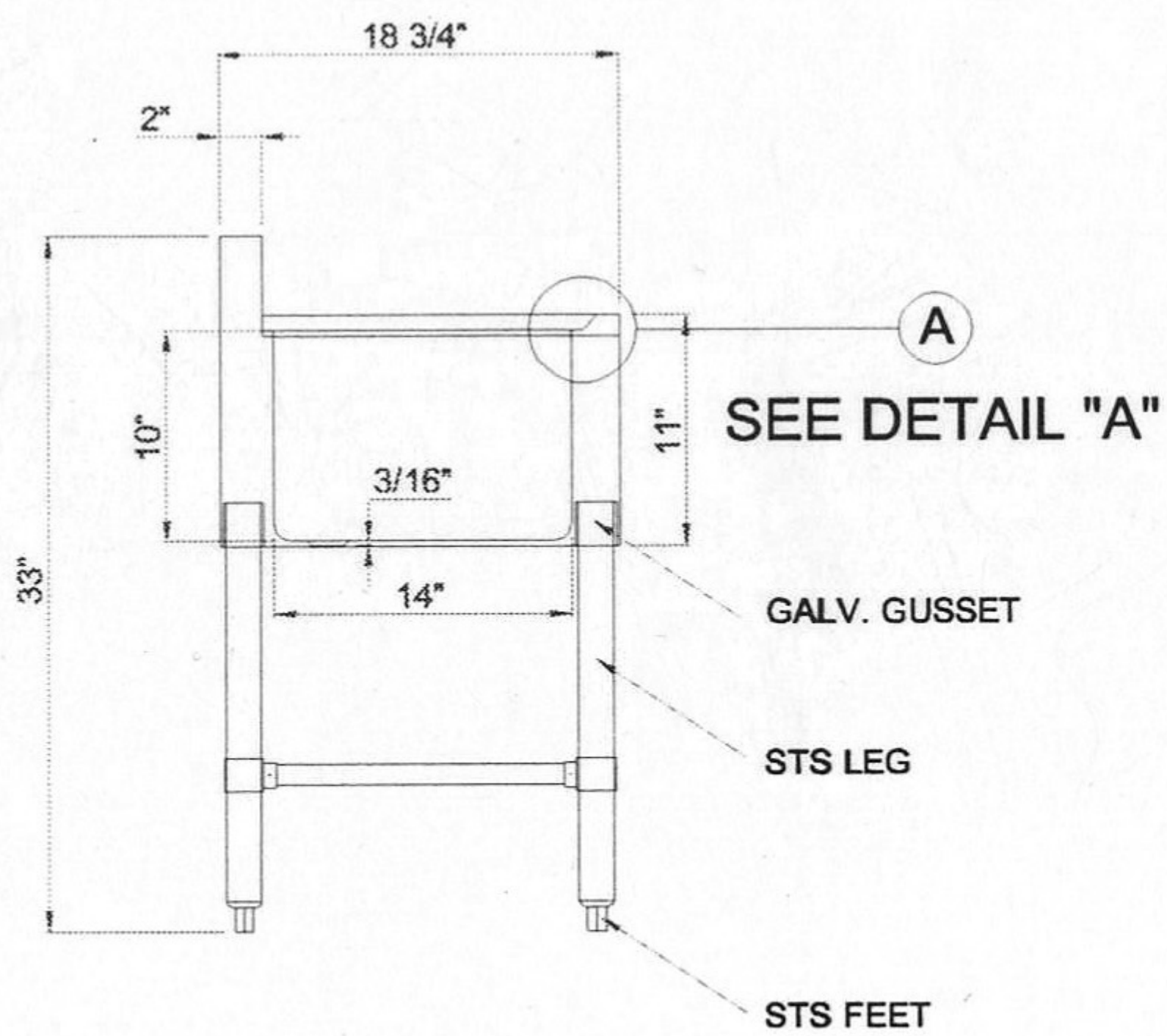
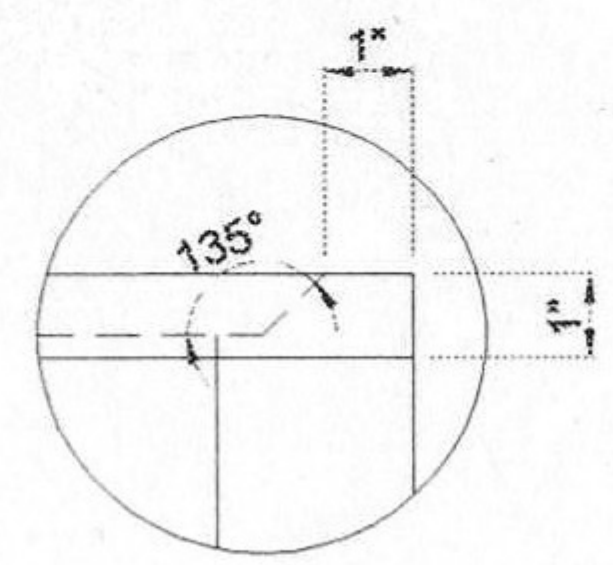


**FRONT ELEVATION**

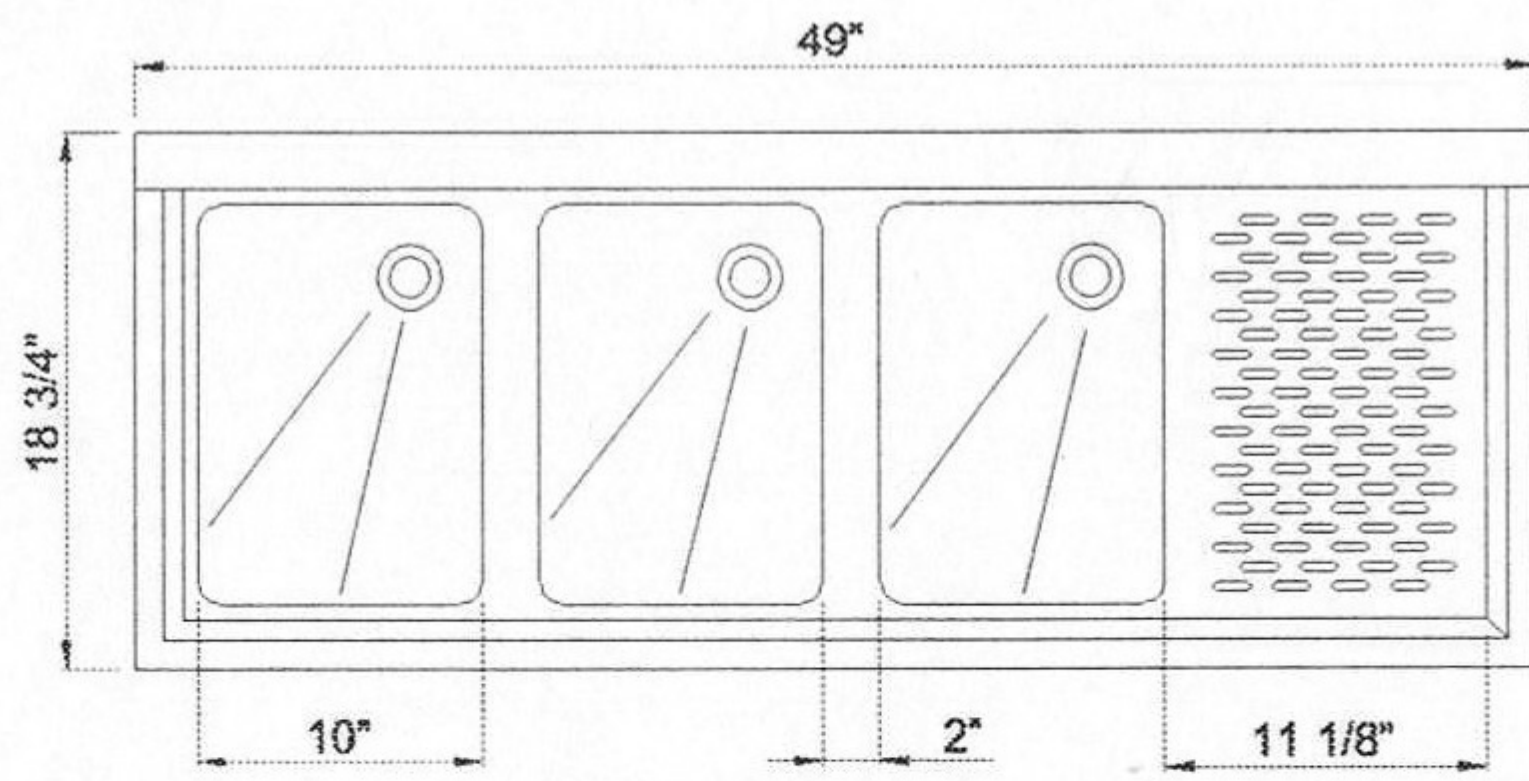


**SIDE VIEW**

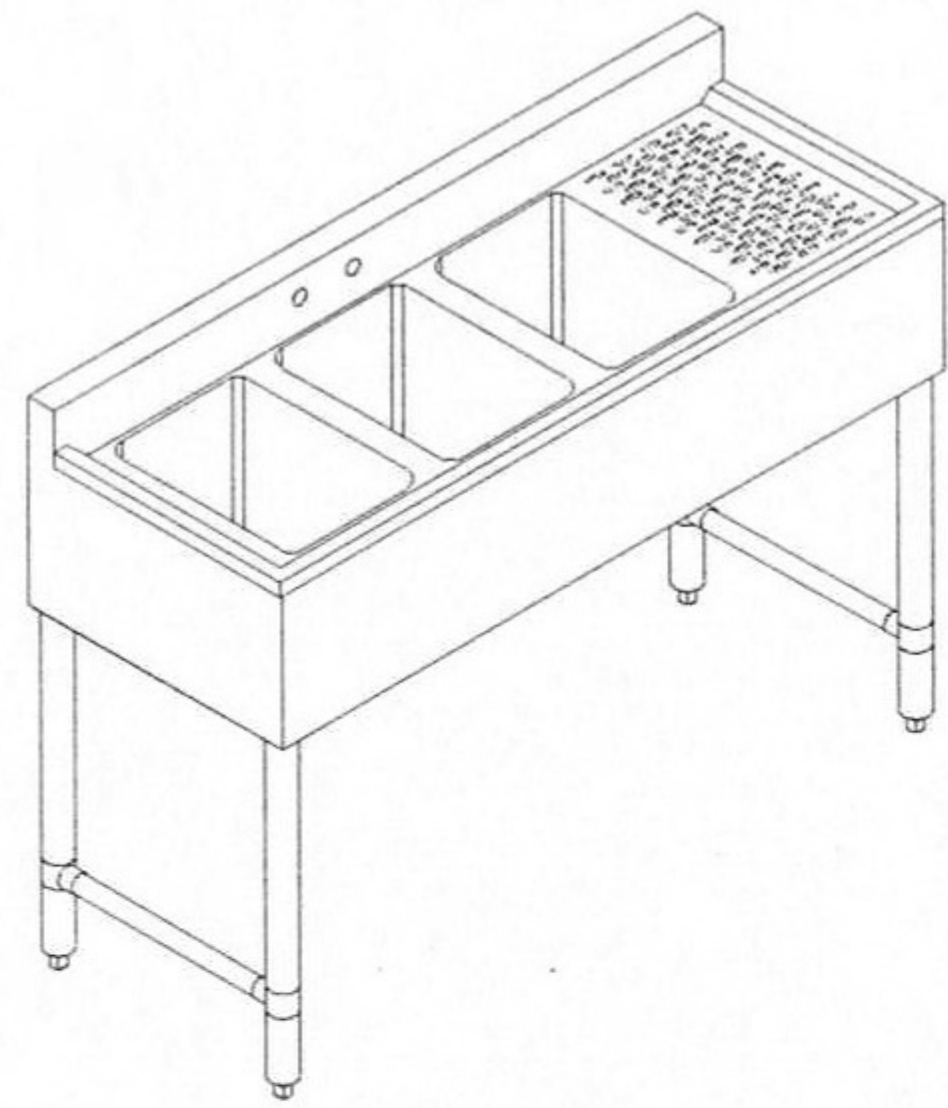
- 18 GA. STAINLESS STEEL CONSTRUCTION.
- GALV. GUSSET AND STAINLESS LEG AND STAINLESS FEET



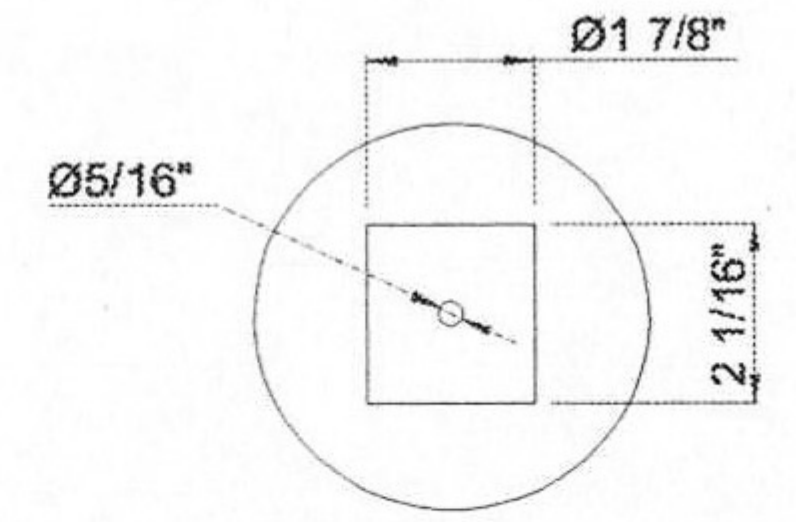
**DETAIL "A"**



**PLAN VIEW**



**ISOMETRIC**



**DETAIL "B"**

DRAWIN FOR :	MAT. TOP : 18 GA. 304 S/S BASE :	DATE	REVISIONS	<b>KLINGER'S TRADING</b>
REF. NO :	REQ'D/ITEM :			
ITEM NAME : Bar Sink	DATE : May / 13 / 2010			
PROD . NO. :	BY :			
SCALE: 1/2" = 1'-0"	CHECKED BY :			