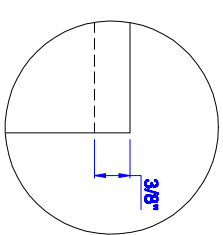
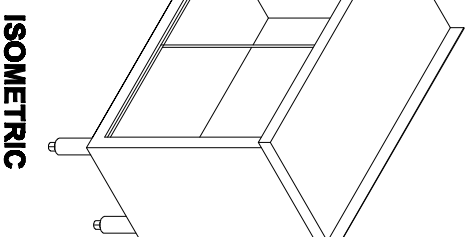
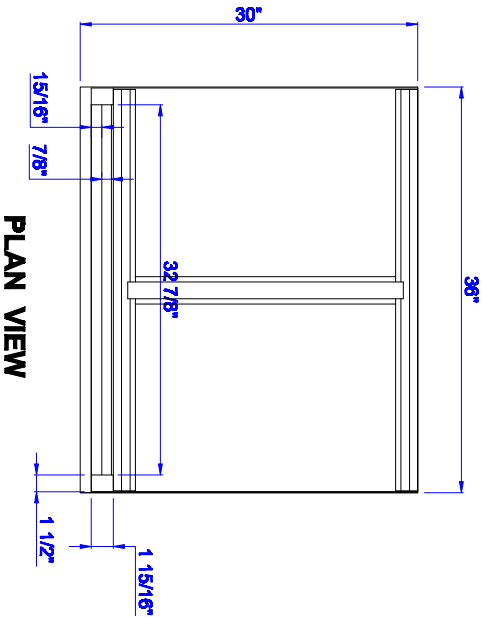
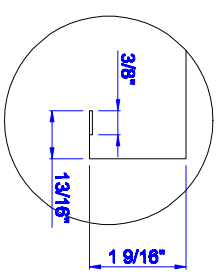


● 18 GA. STAINLESS STEEL
CONSTRUCTION.
● STS LEG AND STS FEET



DRAWING FOR :		DATE		REVISIONS	
REF. NO. :	MAT. :	TOP :	18 GA.	430 S/S	
ITEM NAME :	REQ'D/ITEM :	BASE :			
PROD. NO. :	DATE :	BY :	May / 13 / 2010		
SCALE :	CHECKED BY :				

**KLINGER'S
TRADING**