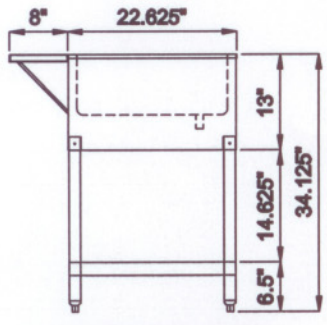
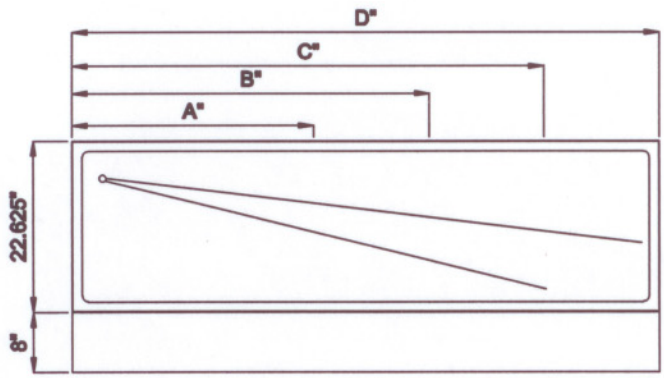
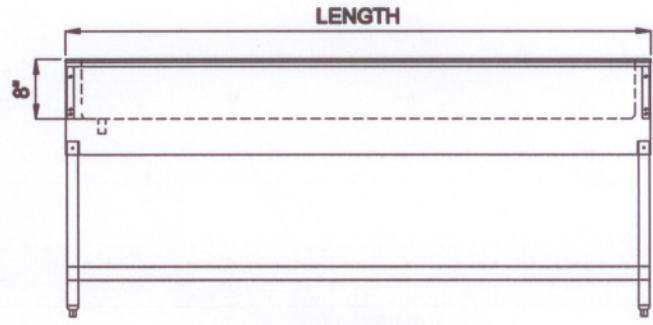


74



SECTIONAL VIEW



ELEVATION VIEW

Model	Length	# of Wells	Weight	Cubic Feet
CP-2	A=32"	1	92	28.1
CP-3	B=47 1/2"	1	120	41.32
CP-4	C=62 3/4"	1	152	54.55
CP-5	D=78 1/8"	1	170	66.94