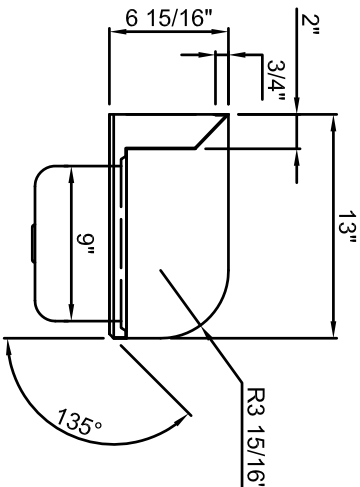
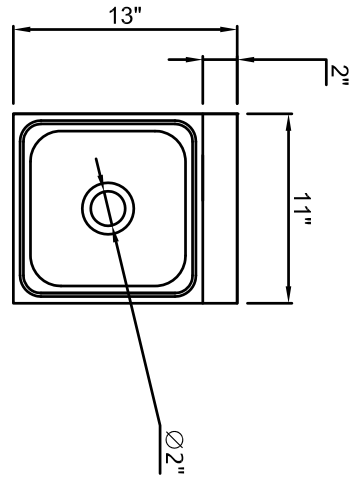


**FRONT ELEVATION**

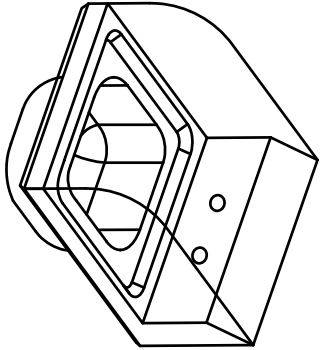


**SIDE VIEW**

● STAINLESS STEEL  
CONSTRUCTION.



**PLAN VIEW**



**ISOMETRIC**

DRAWING FOR:		MAT. TOP: S/S	DATE	REVISIONS
REF. NO.:		BASE:		
ITEM NAME: Space Saving Hand Sink		REQ/D/ITEM:		
PROD. NO.: SSPHS-1000		DATE: Feb/ 24/ 2012		
SCALE: 1/2" = 1'-0"		BY:		
		CHECKED BY:		

**KLINGER'S  
TRADING**