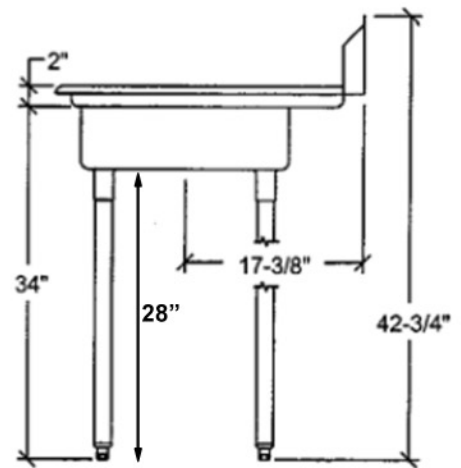
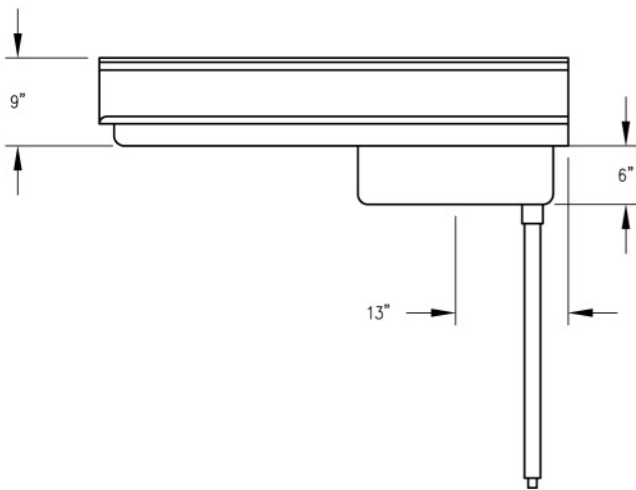


UDT-487L SHOWN



| MODEL NUMBERS | GAUGE/SS | LENGTH | WIDTH | APPROX. WT. (LBS.) |
|---------------|----------|--------|-------|--------------------|
| UDT-48L OR R  | 16/304   | 48     | 28    | 55                 |

**KLINGERS TRADING**  
**3009-B BANKERS INDUSTRIAL DRIVE**  
**ATLANTA, GA 30360**  
 VOICE 770-246-6006  
 FAX 770-246-6004

