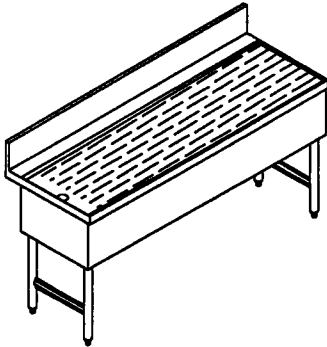


Model Nos.:

| | |
|--------------|--------------|
| CLW18 | CLW36 |
| CLW24 | CLW48 |
| CLW30 | CLW60 |

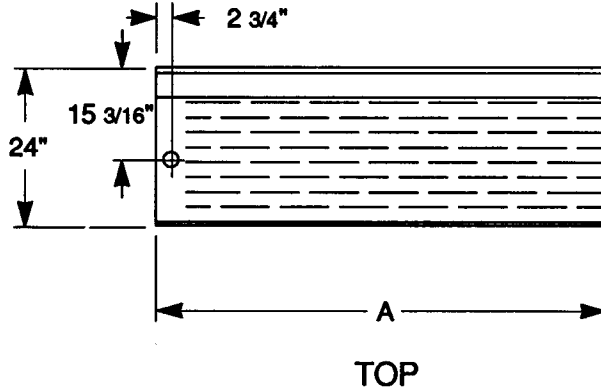
- 304 Stainless Steel, Welded and Polished Top Assembly, Front Apron and Ends
- Factory-Installed Stainless Steel Drain With 1 1/2" Standard Male Pipe Thread
- Available in the Following Standard Lengths: 18", 24", 30", 36", 48" and 60"; Contact Factory for Custom Lengths
- Legs: Stainless Steel Tube and Welded Cross-Brace Construction with High-Impact Plastic Adjustable Feet
- Constructed to Meet NSF Specifications



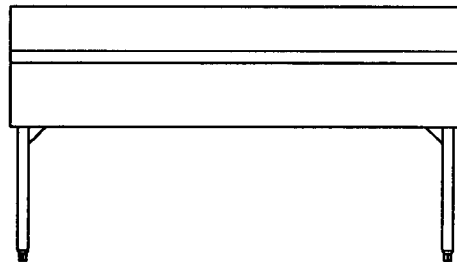
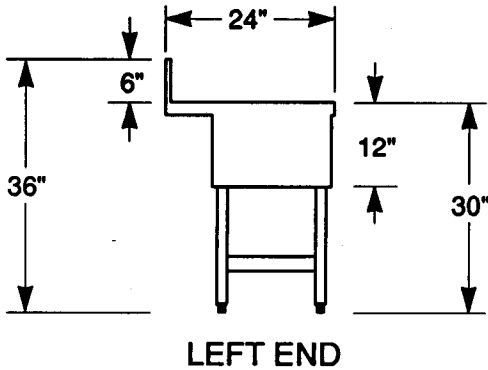
Model Nos.:

- CLW18** **CLW36**
- CLW24** **CLW48**
- CLW30** **CLW60**

| MODEL NO. | A |
|-----------|-----|
| CLW18 | 18" |
| CLW24 | 24" |
| CLW30 | 30" |
| CLW36 | 36" |
| CLW48 | 48" |
| CLW60 | 60" |



NOTE: Corrugation drain will be on left unless specified otherwise. From floor to bottom of drain, approximately 27".



Contact factory or local representative for further information.

Since La Crosse has a policy of continuous product improvement, it reserves the right to change design and specifications without notice.