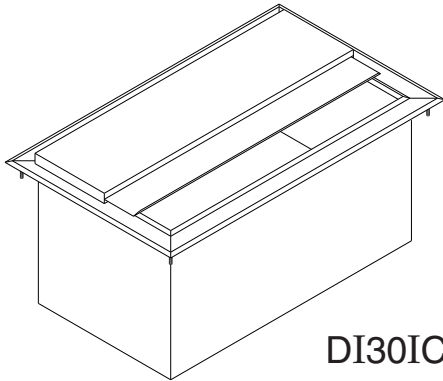


NSF



Model Nos.:

DI12IC
DI18IC
DI24IC
DI30IC
DI36IC
DI48IC

- Quality constructed product line
- 18-gauge, 304 stainless steel support frame
- 304 stainless steel insulated ice bin with factory-installed stainless steel drain with 1 1/2" standard male pipe thread
- Ice chests include 304 stainless steel sliding cover
- Available with sealed-in cold plates
- Constructed to meet NSF specifications



Specifications

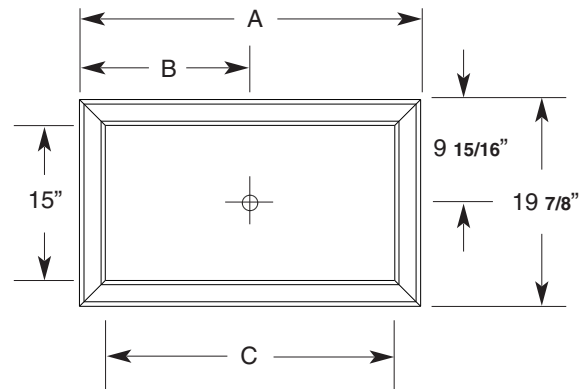
Specialty Products



ICE CHESTS

MODEL	A	B	C	CAPACITY
DI12IC	14 7/8"	7 7/16"	10"	35 lbs.
DI18IC	20 7/8"	10 7/16"	16"	65 lbs.
DI24IC	26 7/8"	13 7/16"	22"	95 lbs.
DI30IC	32 7/8"	16 7/16"	28"	120 lbs.
DI36IC	38 7/8"	19 7/16"	34"	150 lbs.
DI48IC	50 7/8"	24 7/16"	44"	200 lbs.

Ice storage depth - 11"
 For counter cut out, subtract 2 5/8" from length and depth dimensions.



La Crosse has a policy of continuous product improvement, and reserves the right to change design and specifications without notice.