

Model Nos.:



Cocktails

DI24CT

DI30CT

DI36CT

Ice Chests

DI24IC

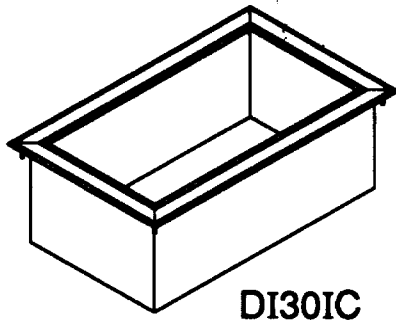
DI30IC

DI36IC

- Quality constructed product line
- 18-gauge, 304 stainless steel support frame
- 304 stainless steel insulated ice bin with factory-installed stainless steel drain with 1 1/2" standard male pipe thread
- Cocktails include two (2) removable, high-impact ABS bottle storage wells
- Ice chests include 304 stainless steel sliding cover
- Cocktails and ice chests are also available with sealed-in cold plates
- Constructed to meet NSF specifications



Model Nos.:



DI30IC

Cocktails

DI24CT

DI30CT

DI36CT

Ice Chests

DI24IC

DI30IC

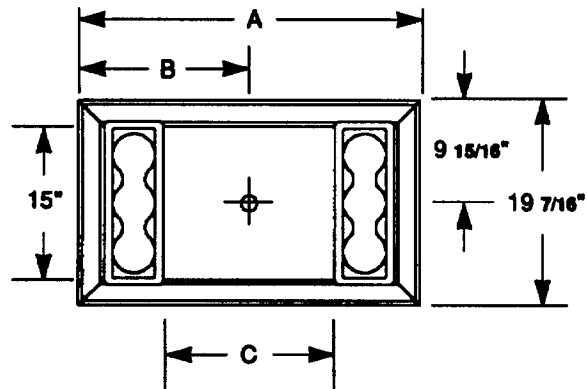
DI36IC

COCKTAILS

MODEL	A	B	C	CAPACITY
DI24CT	26 7/8"	13 7/16"	11	65 lbs.
DI30CT	32 7/8"	16 7/16"	17	95 lbs.
DI36CT	38 7/8"	19 7/16"	23	120 lbs.

Ice storage depth - 11"

For counter cut out, subtract 2 5/8" from length and depth dimensions.

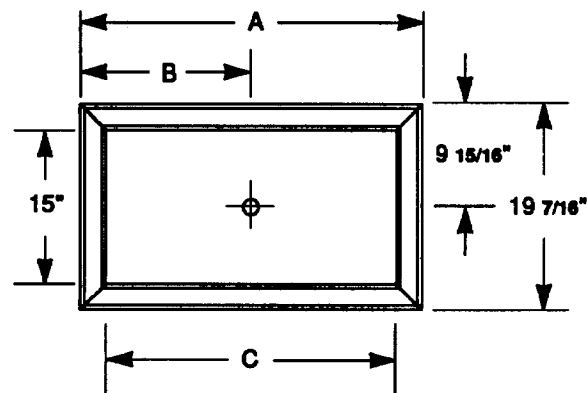


ICE CHESTS

MODEL	A	B	C	CAPACITY
DI24IC	26 7/8"	13 7/16"	22	95 lbs.
DI30IC	32 7/8"	16 7/16"	28	120 lbs.
DI36IC	38 7/8"	19 7/16"	34	150 lbs.

Ice storage depth - 11"

For counter cut out, subtract 2 5/8" from length and depth dimensions.



Contact factory or local representative for further information.

Since La Crosse has a policy of continuous product improvement, it reserves the right to change design and specifications without notice.