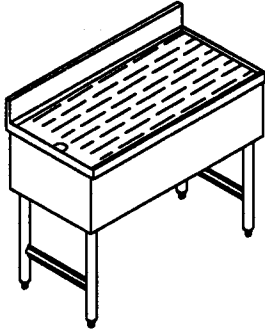


Model Nos.:

SW18	SW36
SW24	SW48
SW30	SW60

- 304 Stainless Steel, Welded and Polished Top Assembly, Front Apron and Ends
- Factory-Installed Stainless Steel Drain With 1 1/2" Standard Male Pipe Thread
- Available in the Following Standard Lengths: 18", 24", 30", 36", 48" and 60"; Contact Factory for Custom Lengths
- Legs: Steel Tube and Welded Cross-Brace Construction, With Corrosion-Resistant Hammertone Paint and High-Impact Plastic Adjustable Feet
- Constructed to Meet NSF Specifications

NSF

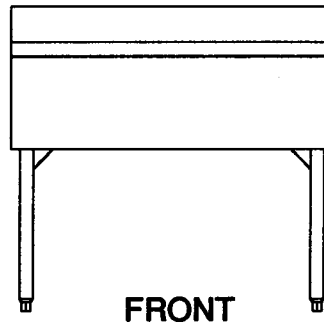
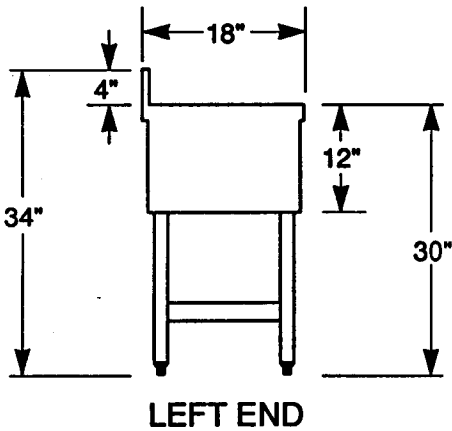
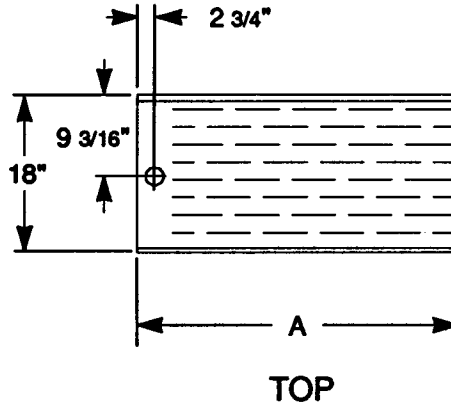


Model Nos.:

SW18 SW36
SW24 SW48
SW30 SW60

MODEL NO.	A
SW18	18"
SW24	24"
SW30	30"
SW36	36"
SW48	48"
SW60	60"

NOTE: Corrugation drain will be on left unless specified otherwise. From floor to bottom of drain, approximately 27".



Contact factory or local representative for further information.

Since La Crosse has a policy of continuous product improvement, it reserves the right to change design and specifications without notice.