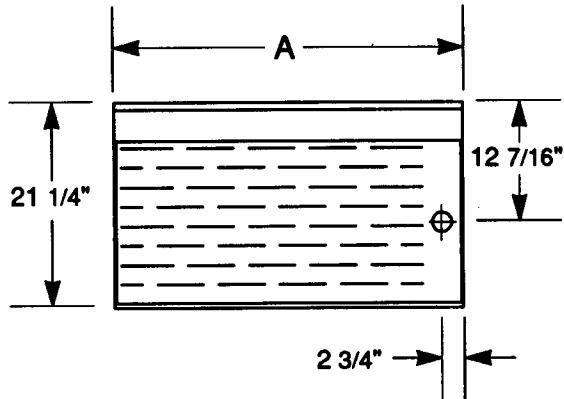
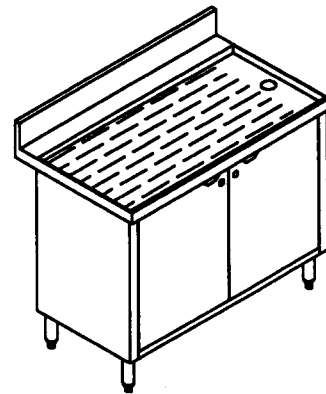
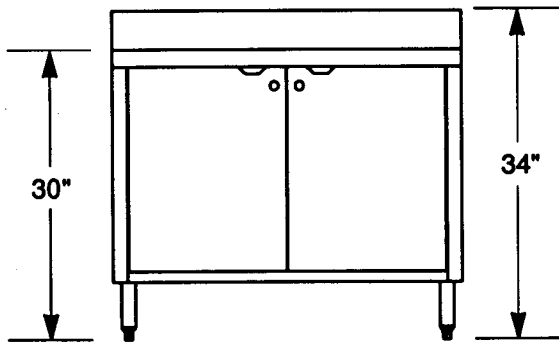


Model No.:
SK-CAB36
SK-CAB48

- 304 Stainless Steel, Welded and Polished Top Assembly, Ends, Bottom and Shelves
- Die Cast Heavy Duty 6" Equipment Legs
- Easily Removable 304 Stainless Steel Shelf (optional)
- Factory-Installed Stainless Steel Drain with 1 1/2" Standard Male Pipe Thread (Plumbing Access Hole Provided Back and Bottom)
- Standard Lengths - 36" and 48", With Other Lengths Available
- Shown With Optional Removable Doors With Locks
- Other Accessories Available
- Constructed to Meet NSF Specifications



Model No.:
SK-CAB36
SK-CAB48



Shown with optional removable doors with locks.

MODEL	A
SK-CAB36	36"
SK-CAB48	48"

Contact factory or local representative for further information.

Since La Crosse has a policy of continuous product improvement, it reserves the right to change design and specifications without notice.