

SK73C

Model Nos.:

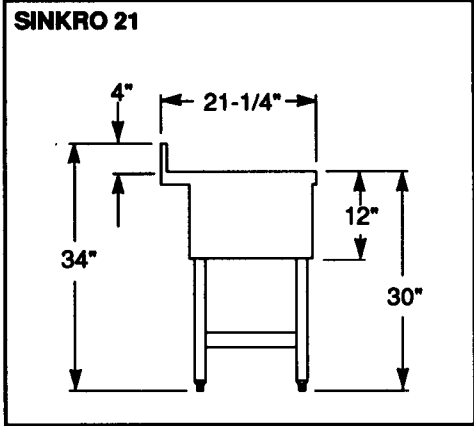
1 Tank
SK31C
SK31L
SK31R

2 Tanks
SK32L
SK32R
SK42C
SK42L
SK42R

3 Tanks
SK33
SK43L
SK43R
SK53C
SK53L
SK53R
SK63C
SK73C
SK83C

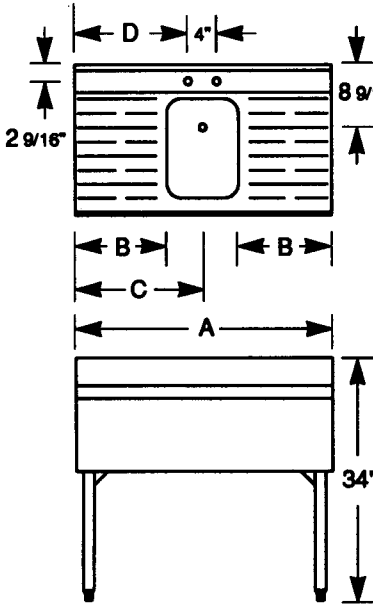
4 Tanks
SK64C
SK74C
SK84C
SK94C
SK104C

- 304 Stainless Steel, Welded and Polished Top Assembly, Front Apron and Ends
- 20-Gauge Polished, Deep-Drawn 304 Stainless Steel Tanks
- Galvanized Steel Understructure
- Legs: Steel Tube and Welded Cross-Brace Construction, with Corrosion Resistant Hammertone Paint and High-Impact Plastic Adjustable Feet
- Stainless Steel Drain with 1 1/2" Standard Male Pipe Thread, Gasket and Nut Field Installed
- Chrome Plated Overflow Tubes with Rubber Grommet for Each Sink
- Deck Mounted Faucets with 4" Centers (1 Faucet with 3 Tanks or Less Models; 2 Faucets for 4 Tank Models)
- Constructed to Meet NSF Specifications



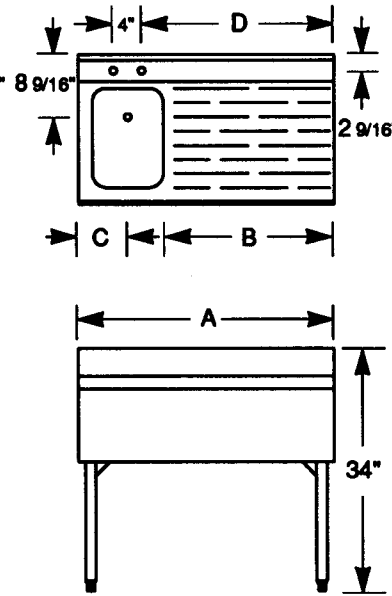
SK31C

Center Tank



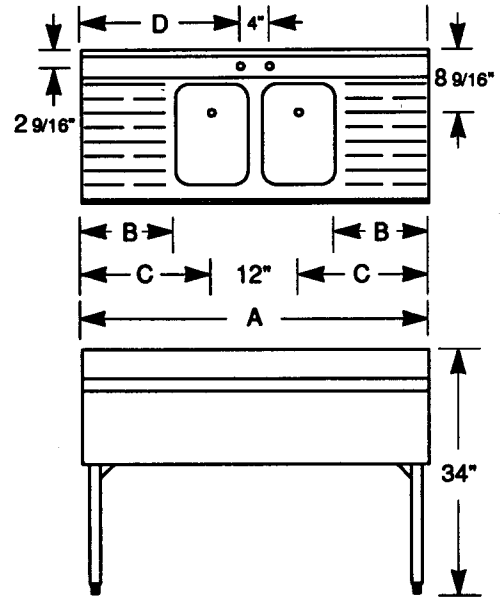
SK31L

Left Tank



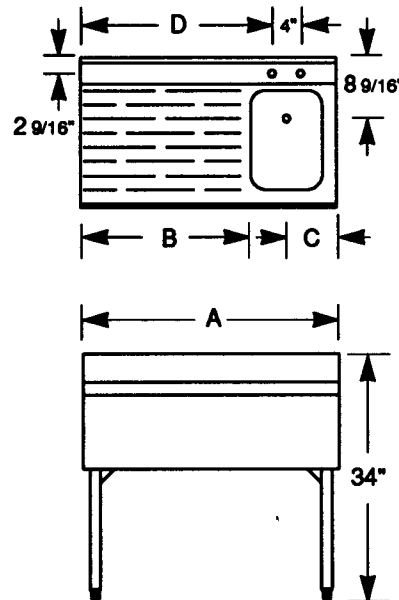
SK42C

Center Tank



SK31R

Right Tank



MODEL	A	B	C	D
SK31C	36	13	18	16
SK31L	36	24	7	27
SK31R	36	24	7	27

MODEL	A	B	C	D
SK32L	36	12	17	21
SK32R	36	12	17	21
SK42C	48	13	18	22
SK42L	48	24	29	33
SK42R	48	24	29	33

Drainboards

Tanks Size:

Right to Left 10"
 Front to Back 14"
 Depth 9 3/4"

Drain Connections:

1 1/2" I.P.S. - Std. Thread

Faucet Mtg. Holes:

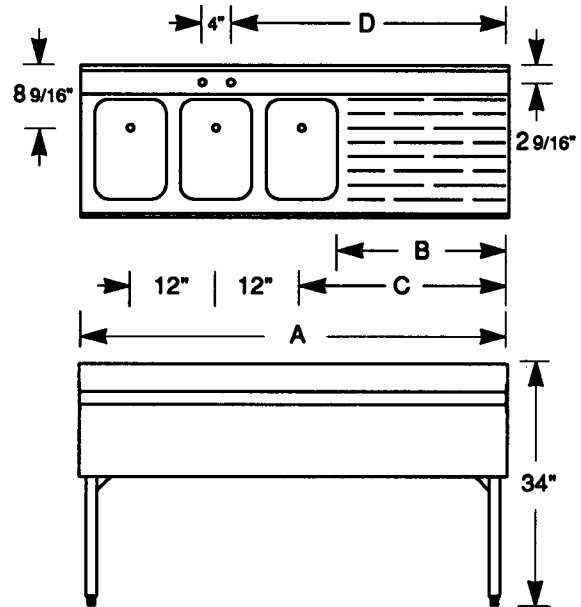
1" diameter

All Units:

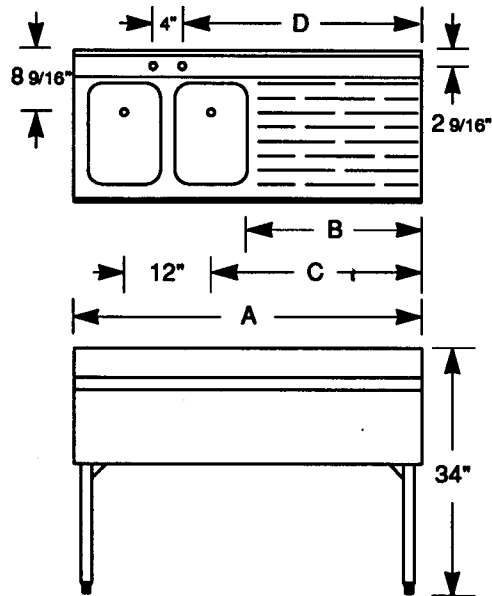
304 Stainless Steel Top Assembly
 Front Apron and Ends

Left Tank

MODEL	A	B	C	D
SK43L	48	12	17	27
SK53L	60	24	29	39

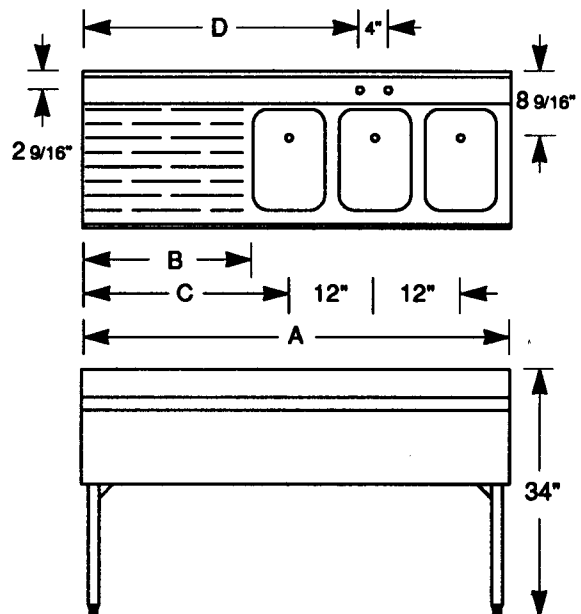


SK32L SK42L Left Tank

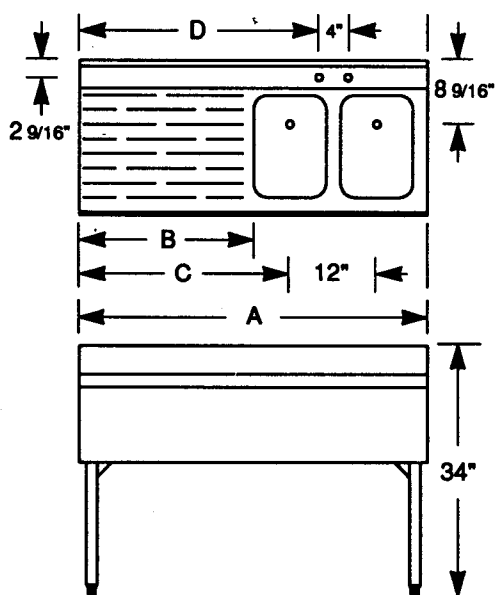


Right Tank

MODEL	A	B	C	D
SK43R	48	12	17	27
SK53R	60	24	29	39



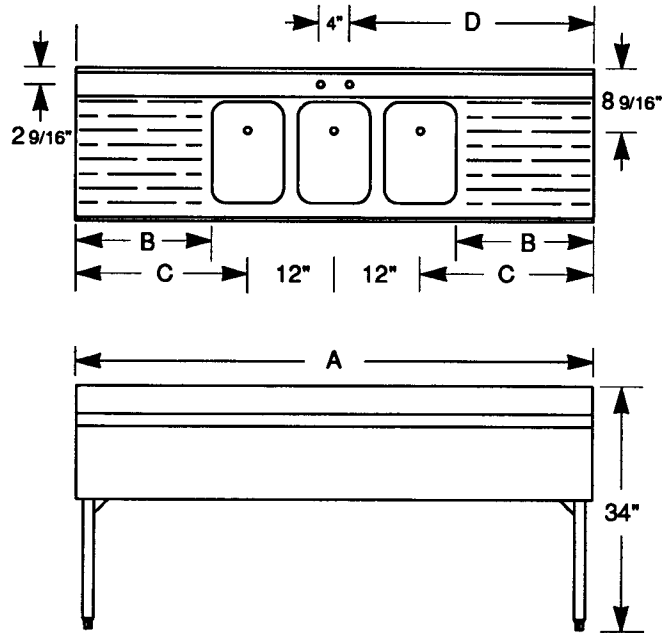
SK32R SK42R Right Tank





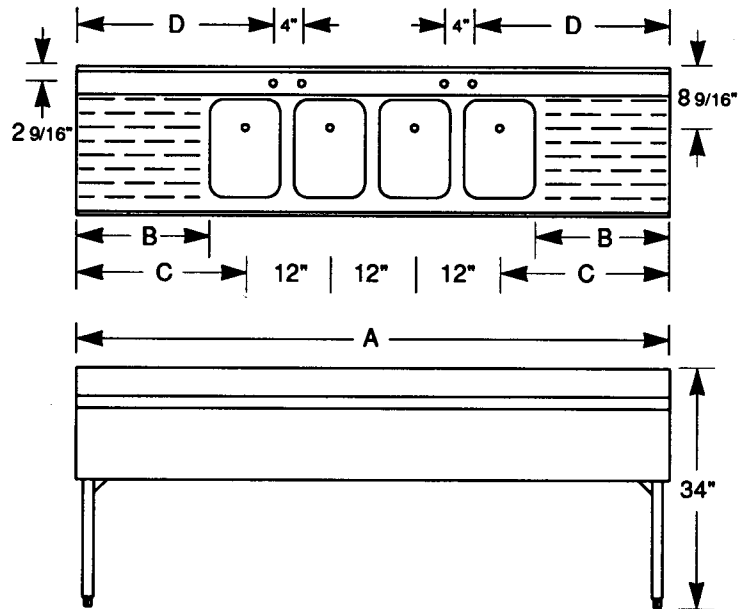
Three Center Tanks

MODEL	A	B	C	D
SK33	36	1	6	16
SK53C	60	13	18	28
SK63C	72	19	24	34
SK73C	84	25	30	40
SK83C	96	31	36	46



Four Center Tanks

MODEL	A	B	C	D
SK64C	72	13	18	22
SK74C	84	19	24	28
SK84C	96	25	30	34
SK94C	108	31	36	40
SK104C	120	37	42	46



Contact factory or local representative for further information.

Since La Crosse has a policy of continuous product improvement, it reserves the right to change design and specifications without notice.