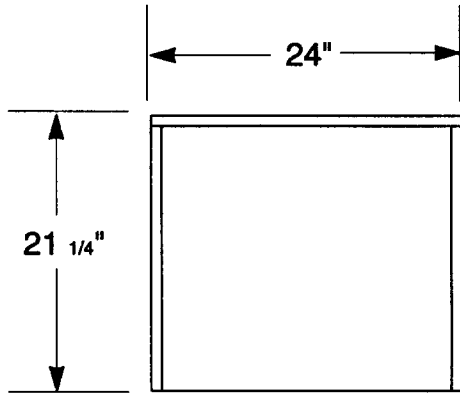
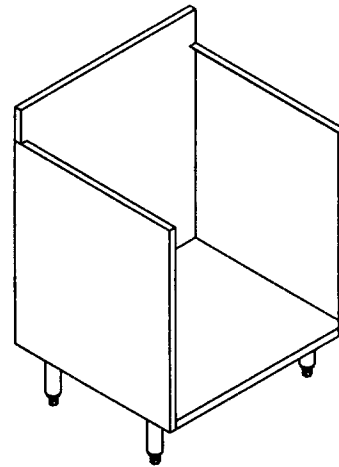
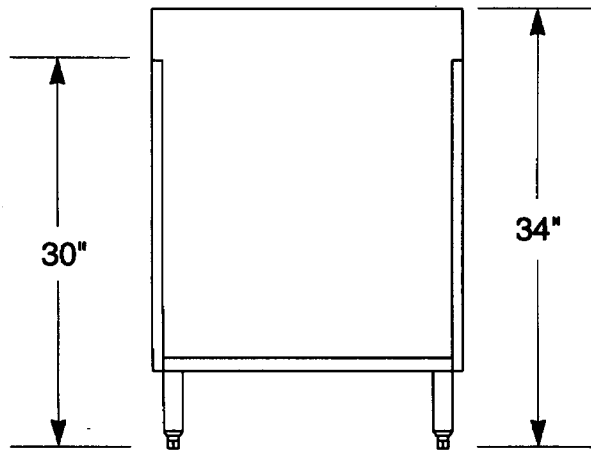


Model No.:
SK24OSR

- 304 Stainless Steel Ends, Back and Bottom
- Die Cast Heavy Duty 6" Equipment Legs with Adjustable Feet
- Custom Lengths Available
- Constructed to Meet NSF Specifications



Model No.:
SK24OSR



Contact factory or local representative for further information.

Since La Crosse has a policy of continuous product improvement, it reserves the right to change design and specifications without notice.