

Item # _____

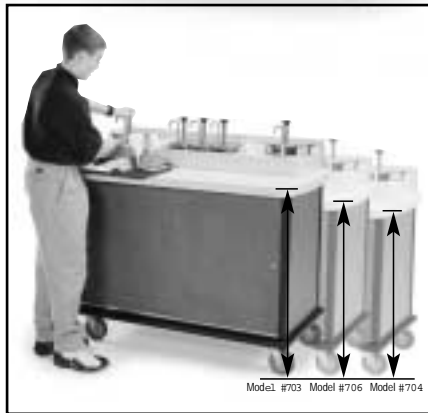
Quantity _____

CONDI EXPRESS™

Models #703, #704 and #706



Model #703
Top Style 1



Three heights available.

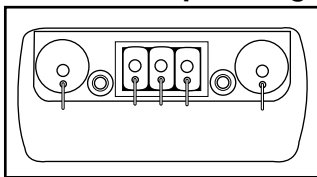
Instantly creates a complete, mobile condiment station.

- Provides an attractive self-service condiment dispensing alternative that complements your take away service. Rolls to any location where you need it.
- Utilizes convenient pump dispensers. Self-leveling dispensers for disposable condiment cups are available. Dispensers are housed in recesses to hold them securely and neatly in place.
- Three qt. dispenser jars recess into an internal ice bin for condiment refrigeration.
- Three serving heights are available putting the dispensers within reach of children, teens and adults. The wide counter provides a handy space for customer convenience.
- Sliding doors provide easy access to the interior storage space. Doors are located on the serving side for quick access when placed against a wall.
- Cart is sized for maneuvering into elevators, down corridors and into serving areas. Easy to maneuver with four tough-duty 5" casters. - 2 swivel with brakes, two fixed.
- Stainless steel interior is easy to clean and sanitize.
- Solid laminate top is durable and easy to clean.
- Attractive Designer Series and solid color cabinet finishes are available. Standard color light gray and black countertop laminates coordinate with cabinet laminate finishes.

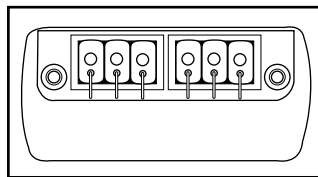
Spec. #

AIA #

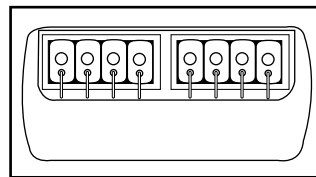
Available Top Configurations*



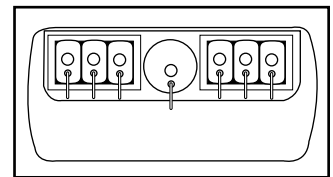
Top 1 (shown above)
Includes 2 ea. 7 qt. Round Condiment Dispensers, 3 ea. 3 qt. Rectangular Condiment Dispensers and 2 ea. disposable cup dispensers.



Top 2
Includes 6 ea. 3 qt. Rectangular Condiment Dispensers and 2 ea. disposable cup dispensers.



Top 3
Includes 8 ea. 3 qt. Rectangular Condiment Dispensers.



Top 4
Includes 1 ea. 7 qt. Round Condiment Dispenser, 6 ea. 3 qt. Rectangular Condiment Dispensers.

*Custom configurations also available.

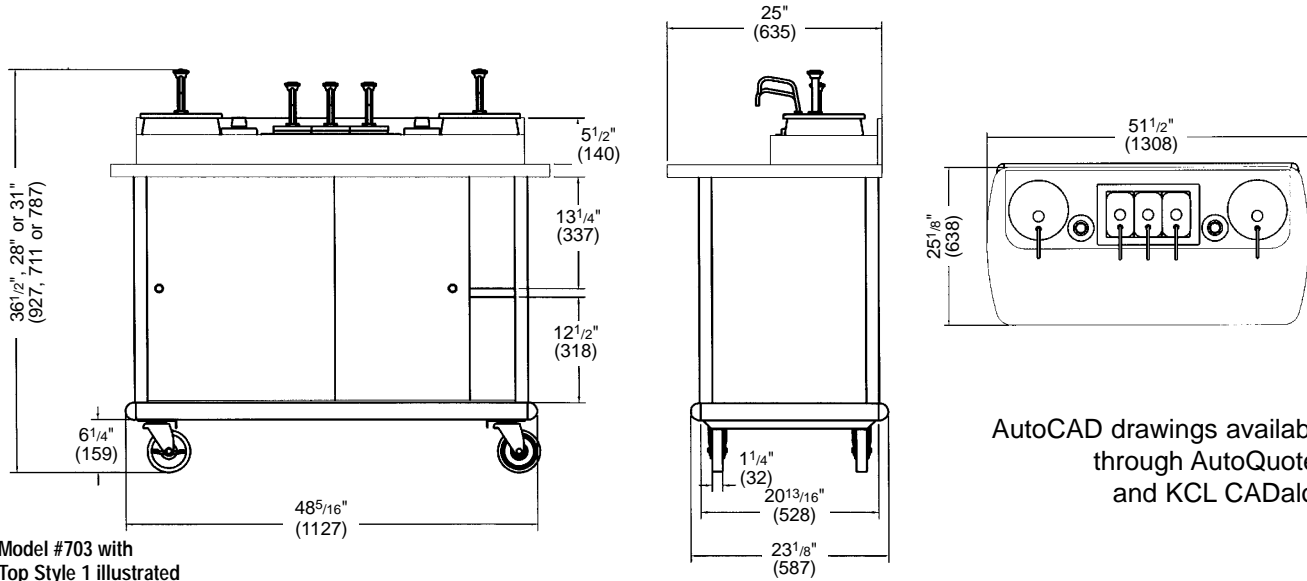
Lakeside Manufacturing, Inc.

4900 West Electric Avenue • West Milwaukee, WI 53217 U.S.A.
800-558-8565 • 414-481-3900 • Fax 414-481-9313 • www.eLakeside.com



CONDI EXPRESS™

Models #703, #704 and #706



AutoCAD drawings available
through AutoQuotes
and KCL CADalog

Model #703 with
Top Style 1 illustrated

Dimensions:

Model	Top Description	Interior Shelf Description			Overall Size			Case Weight		Unit Weight	
		Size	Clearance		W	L	H	Lbs.	(Kg)	Lbs.	(Kg.)
703	25" x 51 1/2" (635 x 1308)	Top	20 7/8" x 48 2/3" (528 x 1227)	13 1/4" (337)	25"	51 1/2"	42"	320	(145)	230	(104)
		Bottom	20 7/8" x 48 2/3" (528 x 1127)	12 1/2" (318)							
704	25" x 51 1/2" (635 x 1308)	Top*	20 7/8" x 24 1/3" (528 x 618)	8 1/4" (210)	25"	51 1/2"	33 1/2"	310	(140)	220	(100)
		Bottom	20 7/8" x 48 2/3" (528 x 1127)	8" (203)							
706	25" x 51 1/2" (635 x 1308)	Top	20 7/8" x 48 2/3" (528 x 1127)	10 1/4" (260)	25"	51 1/2"	36 1/2"	315	(143)	225	(102)
		Bottom	20 7/8" x 48 2/3" (528 x 1127)	10" (254)							

*2 ea. triangular shelves.

Specifications:

Unit shall be Lakeside model 703, 704 or 706 Condi Express and shall have a stainless steel base cabinet with laminate exterior and stainless steel interior for ease of cleaning and sanitation. Top shall be two tier, and feature drop-in pump type condiment dispensers in a combination of 3 and 7 quart sizes. Dispensers shall be securely housed in top recesses. Three quart dispensers shall include an internal drop-in ice bin to refrigerate condiment product. Models 703 and 706 shall include an additional stainless steel shelf in the base compartment for added storage surface. Cart shall have 4 each, 5" (127 mm) Lake-Glide® casters: 2 swivel with brakes and 2 fixed, heavy-duty, extra load.

Optional

Accessories:

- 7-quart Cryovac® dispenser.
- Engraved condiment label pumps.
- Sanitary 3-quart pump lock.
- Custom laminate finishes available.



Lakeside Manufacturing, Inc.

4900 West Electric Avenue • West Milwaukee, WI 53217 U.S.A.
800-558-8565 • 414-481-3900 • Fax 414-481-9313 • www.eLakeside.com