

# Mobile Self-Leveling Dispensers

## Open Tubular Style - Uneated



Model 7209

### Economical Tubular Frame Design

- High-strength easy-to-clean stainless steel tubular frame.
- Easy field adjustment for plate height, no tools required.
- Easy-Glide™ design provides quiet, non-stick operation.
- 4" Lake-Glide® casters - all swivel, 2 each with brake.
- Height adjustment springs detach and attach from inside the dispenser. No need to remove dispenser from mobile unit.



### Specifications

**Mobile Frame:** Mobile frame shall be of 18-gauge wall stainless steel 1" tubing. Tubing frame shall be of "U-frame" design with bottom tie bars for extra strength. Units shall have 18-gauge top and bottom shelves to provide dispenser tube stability. Top and bottom shelves shall be bolted to tubular frame. Casters shall be 4" (102 mm) diameter extra-load swivel stem type (two with locking brake). Units shall be NSF listed.

**Dispenser Tubes:** Dispenser tubes shall be of welded stainless steel construction and shall drop into mobile unit top and bottom shelf openings. Dispensers shall be fully enclosed in 22-gauge stainless steel, shall hang from top shelf opening by an 18-gauge flange ring, and feature three each 22-gauge vertical side supports welded to 20-gauge bottom plate. Self-leveling dish carriage shall be of welded stainless steel construction and shall travel vertically in dispenser tube with nylon guides for smooth operation. Carriage shall have 22-gauge removable dish platform. Dispensers shall feature flange mounted perimeter extension springs, which are detachable from the dish carriage without tools to provide adjustment for different weight dishes. Each dispenser shall have a vertical stacking capacity of 25" (635 mm).

Spec. #

AIA #



Lakeside Manufacturing, Inc.

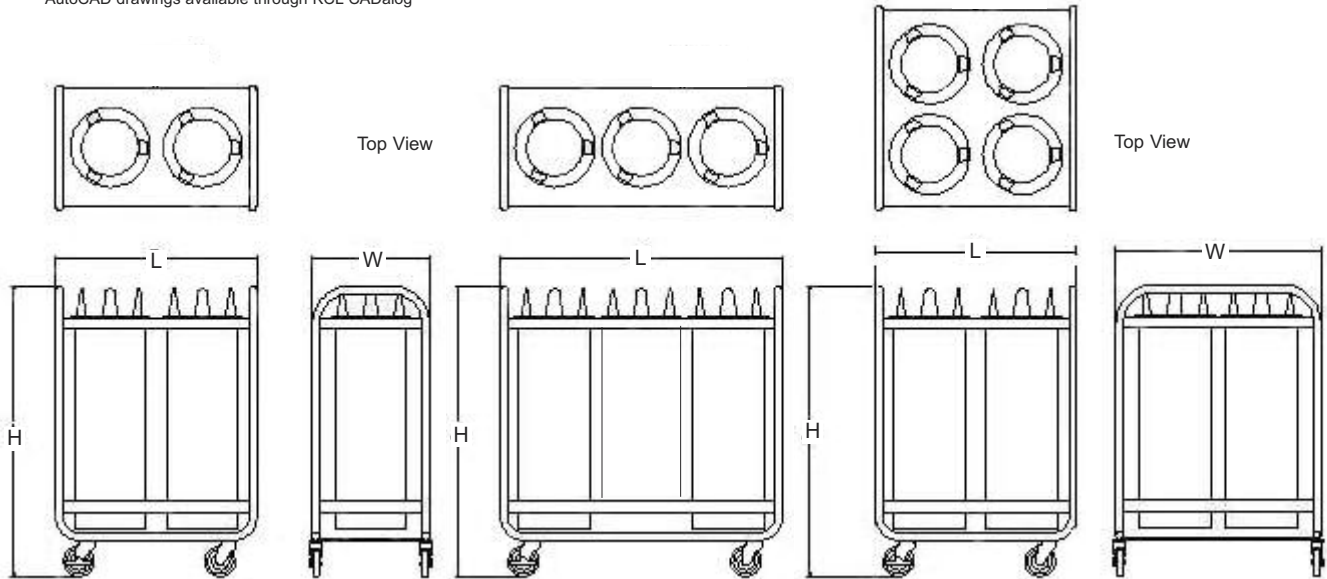
4900 West Electric Avenue • West Milwaukee, WI 53219 U.S.A.

800-558-8565 • 414-902-6400 • Fax 414-902-6446 • www.eLakeside.com

# Mobile Self-Leveling Dispensers

## Open Tubular Style - Unheated

AutoCAD drawings available through KCL CADalog



### Dimensions

#### Two Stack Models

Model	Accommodates Plate Size	Dimensions			Ship Weight
		W	L	H	
7200	Up to 5" (127)	16½" (438)	31" (787)	38 <sup>5</sup> / <sub>16</sub> " (989)	65 (29.5 kg)
7205	5-7/8" to 6-1/2" (149 to 165)	16½" (438)	31" (787)	38 <sup>5</sup> / <sub>16</sub> " (989)	67 (30.4 kg)
7206	5-7/8" to 6-1/2" (149 to 165)	16½" (438)	31" (787)	38 <sup>5</sup> / <sub>16</sub> " (989)	68 (30.8 kg)
7207	6-5/8" to 7-1/4" (168 to 184)	16½" (438)	31" (787)	38 <sup>5</sup> / <sub>16</sub> " (989)	70 (31.8 kg)
7208	7-3/8" to 8-1/8" (187 to 206)	16½" (438)	31" (787)	38 <sup>5</sup> / <sub>16</sub> " (989)	74 (33.6 kg)
7209	8-1/4" to 9-1/8" (210 to 232)	16½" (438)	31" (787)	38 <sup>5</sup> / <sub>16</sub> " (989)	77 (34.9 kg)
7210	9-1/4" to 10-1/8" (235 to 257)	16½" (438)	31" (787)	38 <sup>5</sup> / <sub>16</sub> " (989)	80 (36.3 kg)
7211	10-1/4" to 11" (260 to 279)	17¾" (451)	35½" (902)	38 <sup>5</sup> / <sub>16</sub> " (989)	85 (38.3 kg)
7212	11-1/4" to 12-1/4" (286 to 311)	17¾" (451)	35½" (902)	38 <sup>5</sup> / <sub>16</sub> " (989)	90 (40.8 kg)

#### Three Stack Models

Model	Accommodates Plate Size	Dimensions			Ship Weight
		W	L	H	
7300	Up to 5" (127)	16½" (438)	45¾" (1162)	38 <sup>5</sup> / <sub>16</sub> " (989)	90 (40.8 kg)
7305	5-7/8" to 6-1/2" (149 to 165)	16½" (438)	45¾" (1162)	38 <sup>5</sup> / <sub>16</sub> " (989)	92 (41.7 kg)
7306	5-7/8" to 6-1/2" (149 to 165)	16½" (438)	45¾" (1162)	38 <sup>5</sup> / <sub>16</sub> " (989)	95 (43.1 kg)
7307	6-5/8" to 7-1/4" (168 to 184)	16½" (438)	45¾" (1162)	38 <sup>5</sup> / <sub>16</sub> " (989)	97 (44.0 kg)
7308	7-3/8" to 8-1/8" (187 to 206)	16½" (438)	45¾" (1162)	38 <sup>5</sup> / <sub>16</sub> " (989)	102 (46.3 kg)
7309	8-1/4" to 9-1/8" (210 to 232)	16½" (438)	45¾" (1162)	38 <sup>5</sup> / <sub>16</sub> " (989)	106 (48.1 kg)
7310	9-1/4" to 10-1/8" (235 to 257)	16½" (438)	45¾" (1162)	38 <sup>5</sup> / <sub>16</sub> " (989)	110 (49.9 kg)

#### Four Stack Models

Model	Accommodates Plate Size	Dimensions			Ship Weight
		W	L	H	
7400	Up to 5" (127)	31" (787)	31" (787)	38 <sup>5</sup> / <sub>16</sub> " (989)	102 (46.3 kg)
7405	5-7/8" to 6-1/2" (149 to 165)	31" (787)	31" (787)	38 <sup>5</sup> / <sub>16</sub> " (989)	106 (48.1 kg)
7406	5-7/8" to 6-1/2" (149 to 165)	31" (787)	31" (787)	38 <sup>5</sup> / <sub>16</sub> " (989)	107 (48.5 kg)
7407	6-5/8" to 7-1/4" (168 to 184)	31" (787)	31" (787)	38 <sup>5</sup> / <sub>16</sub> " (989)	108 (49.0 kg)
7408	7-3/8" to 8-1/8" (187 to 206)	31" (787)	31" (787)	38 <sup>5</sup> / <sub>16</sub> " (989)	130 (59.0 kg)
7409	8-1/4" to 9-1/8" (210 to 232)	31" (787)	31" (787)	38 <sup>5</sup> / <sub>16</sub> " (989)	135 (61.2 kg)
7410	9-1/4" to 10-1/8" (235 to 257)	31" (787)	31" (787)	38 <sup>5</sup> / <sub>16</sub> " (989)	140 (63.5 kg)

Measurements in ( ) denote metric millimeters, unless otherwise specified.

#### Optional Accessories

- Stainless steel dispenser covers
- Round corner bumpers (set of four)



Lakeside Manufacturing, Inc.

4900 West Electric Avenue • West Milwaukee, WI 53219 U.S.A.

800-558-8565 • 414-902-6400 • Fax 414-902-6446 • www.eLakeside.com

AIA #

Spec. #