

# Mobile Self-Leveling Dispensers

## Open Tubular Style - Adjust-a-Fit® Adjustable Diameter



Model 773

### Adjustable Diameter And Dispensing Height Adjustments Without Tools

- Three tube sizes, each with a 3¼" diameter adjustment range.
- Height adjustment springs detach and attach from inside the dispenser. No need to remove dispenser from mobile unit.
- High-strength easy-to-clean stainless steel tubular frame.
- Easy-Glide™ design provides quiet, non-stick operation.
- Each heated dispenser features its own thermostatic control.
- 4" Lake-Glide® casters - all swivel, 2 each with brake.



Optional Round Corner Bumper

## Specifications

**Mobile Frame:** Mobile frame shall be of 18-gauge wall stainless steel 1" tubing. Tubing frame shall be of "U-frame" design with bottom tie bars for extra strength. Units shall have 18-gauge top and bottom shelves to provide dispenser tube stability. Top and bottom shelves shall be bolted to tubular frame. Casters shall be 4" (102 mm) diameter extra-load swivel stem type (two with locking brake). Units shall be NSF listed.

**Dispenser Tubes:** Dispenser tubes shall be of welded stainless steel construction and shall drop into top and lower shelf openings. Dispensers shall hang from top shelf opening by an 18-gauge flange ring and feature three each 22-gauge vertical side supports welded to 20-gauge bottom plate. Self-leveling dish carriage shall be of welded stainless steel construction and shall travel vertically in dispenser tube with three sets of nylon roller guides running in vertical tracks for smooth operation. Carriage shall have 22-gauge removable dish platform. Dispensers shall feature flange mounted perimeter extension springs, which are detachable from the dish carriage to provide proper dish height adjustment without tools. Dispensers shall also feature three stainless steel dish guides running the entire height of the dispenser. Dish guides shall pivot to provide diameter adjustability of 3-1/4" (83 mm) without tools or removing components to accommodate various diameter dishes. Each dispenser shall have a vertical stacking capacity of 25" (635 mm).

**Heated Models Only:** Unit shall be 120 VAC 60 Hz and shall have 6' (1829 mm) power supply cord with L5-15P NEMA plug for 120 VAC. Cabinet shall have interior mounted electrical junction box with twist-lock receptacles for individual power to each dispenser. Dispenser tubes shall be fully enclosed in 22-gauge stainless steel, and have a circular bottom mounted 300 or 450 watt heater element to provide convection heat. Heating system shall feature thermostatic control in a tamper protective location with safe high-end shut-off. Control shall have Infinite settings between low and high temperature cut-outs. Thermostat shall be field adjustable for average interior air temperature between 100°F (38°C) and 175° F (79°C) at middle adjustable thermostatic setting. On-off switch and power indicator light shall be mounted on top flange of dispenser. Average dish temperature rise of 40°F (22°C) above ambient shall be achieved within one hour of initial heating cycle at middle adjustable thermostatic setting. Mobile frame and dispenser tubes shall be U.L. listed.



Lakeside Manufacturing, Inc.

4900 West Electric Avenue • West Milwaukee, WI 53219 U.S.A.

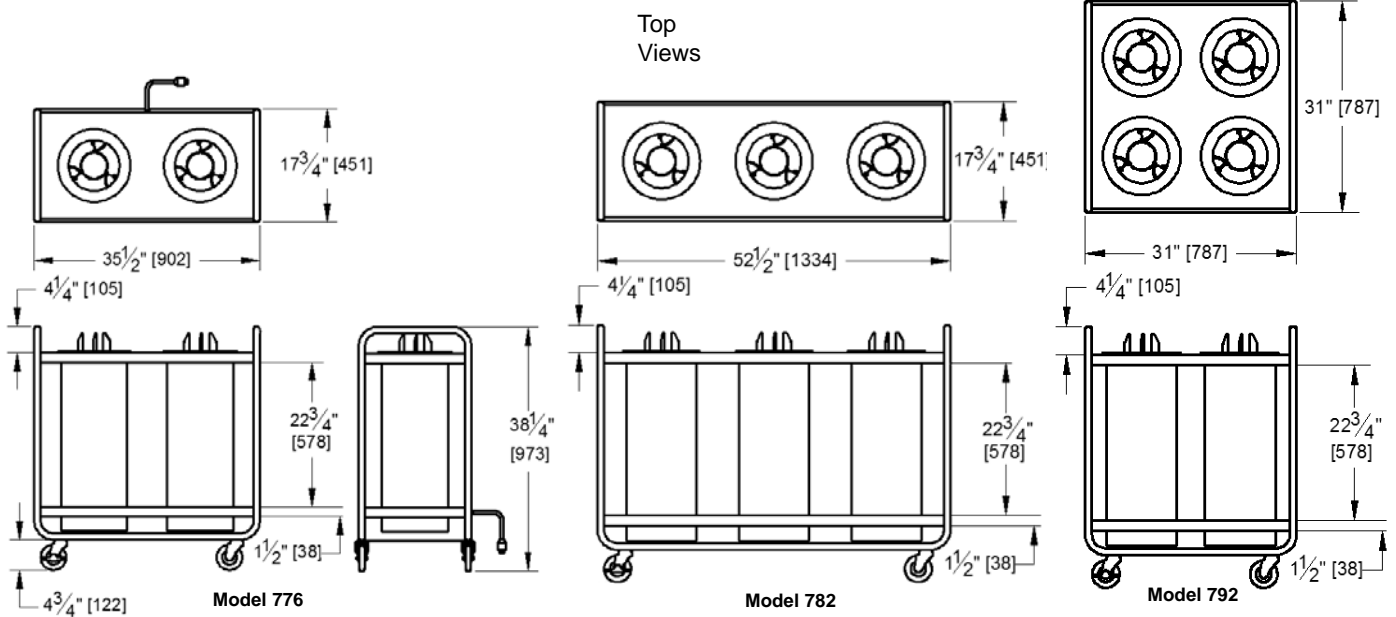
800-558-8565 • 414-902-6400 • Fax 414-902-6446 • www.eLakeside.com

# Mobile Self-Leveling Dispensers

## Open Tubular Style - Adjust-a-Fit® Adjustable Diameter

AIA #

Spec. #



### Dimensions

AutoCAD drawings available through KCL CADalog

Model	Adjusts To Fit Plate Size		Overall Size						Electrical		lbs.	(kg.)
			W	L	H	(W	L	H)	Watts	Amps		
<b>2-Stack Unheated Models</b>												
772	4-1/4" to 7-1/2"	(108 to 191)	17-3/4"	35-1/2"	38-5/16"	(457	902	989)	--	--	87	(39.5)
773	6-1/2" to 9-3/4"	(165 to 248)	17-3/4"	35-1/2"	38-5/16"	(457	902	989)	--	--	95	(43.1)
774	8-3/4 to 12"	(222 to 305)	17-3/4"	35-1/2"	38-5/16"	(457	902	989)	--	--	105	(47.6)
<b>3-Stack Unheated Models</b>												
782	4-1/4" to 7-1/2"	(108 to 191)	17-3/4"	45-3/4"	38-5/16"	(451	1162	989)	--	--	119	(54.0)
783	6-1/2" to 9-3/4"	(165 to 248)	17-3/4"	45-3/4"	38-5/16"	(451	1162	989)	--	--	129	(58.5)
784	8-3/4 to 12"	(222 to 305)	17-3/4"	52-1/2"	38-5/16"	(451	1334	989)	--	--	142	(64.4)
<b>4-Stack Unheated Models</b>												
792	4-1/4" to 7-1/2"	(108 to 191)	31"	31"	38-5/16"	(664	664	989)	--	--	141	(64.0)
793	6-1/2" to 9-3/4"	(165 to 248)	31"	31"	38-5/16"	(664	664	989)	--	--	153	(69.4)
<b>2-Stack Heated Models</b>												
776	4-1/4" to 7-1/2"	(108 to 191)	17-3/4"	35-1/2"	38-5/16"	(457	902	989)	600	5.0	93	(42.2)
777	6-1/2" to 9-3/4"	(165 to 248)	17-3/4"	35-1/2"	38-5/16"	(457	902	989)	900	7.5	102	(46.3)
778	8-3/4 to 12"	(222 to 305)	17-3/4"	35-1/2"	38-5/16"	(457	902	989)	900	7.5	113	(51.3)
<b>3-Stack Heated Models</b>												
786	4-1/4" to 7-1/2"	(108 to 191)	17-3/4"	45-3/4"	38-5/16"	(451	1162	989)	900	7.5	127	(57.6)
787	6-1/2" to 9-3/4"	(165 to 248)	17-3/4"	45-3/4"	38-5/16"	(451	1162	989)	1350	11.3	139	(63.1)
788	8-3/4 to 12"	(222 to 305)	17-3/4"	52-1/2"	38-5/16"	(451	1334	989)	1350	11.3	153	(69.4)
<b>4-Stack Heated Models</b>												
796	4-1/4" to 7-1/2"	(108 to 191)	31"	31"	38-5/16"	(664	664	989)	1200	10	147	(66.7)
797	6-1/2" to 9-3/4"	(165 to 248)	31"	31"	38-5/16"	(664	664	989)	1350	11.3	161	(73.0)

Measurements in ( ) denote metric millimeters, unless otherwise specified.

### OPTIONAL ACCESSORIES

- Stainless steel dispenser tube covers
- 208/240 VAC 60Hz (heated models)
- 220 VAC 50 Hz (heated models)
- Round corner bumpers



Lakeside Manufacturing, Inc.

4900 West Electric Avenue • West Milwaukee, WI 53219 U.S.A.  
800-558-8565 • 414-902-6400 • Fax 414-902-6446 • www.eLakeside.com